

Distributed by:



www.Jameco.com ♦ 1-800-831-4242

The content and copyrights of the attached material are the property of its owner.

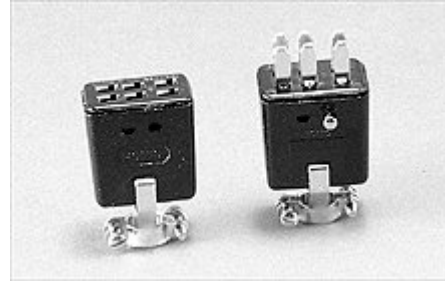
Jameco Part Number 248786 (P-304-CCT)

Series 300

**Multiple Density
Solder Eyelet
With Hood & 180° Clamp**

Materials

Insulation Material: Molded monoblock, general purpose phenolic, black UL94V-1
Contact Material: Plug: Brass
Socket: Phosphor bronze
Contact Plating: Cadmium
Operating Temperature: Up to +105°C
Hood Material: UL 94V-0 rated thermoplastic



Electrical

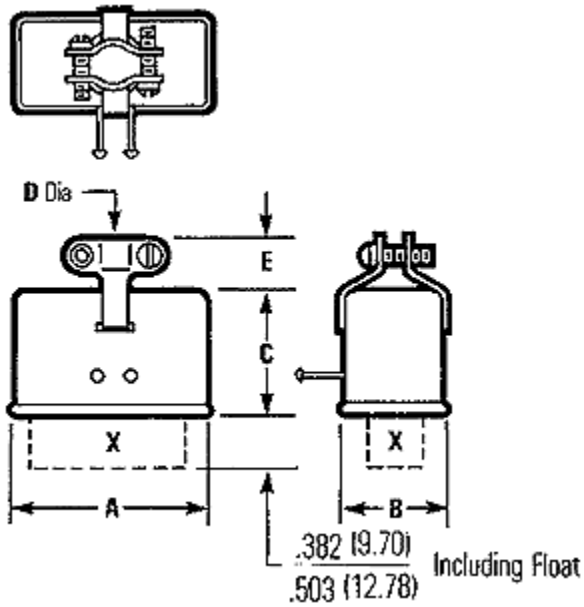
Operating Voltage: 250 VAC RMS maximum
Current Rating: 10 Amps
Contact Resistance: 16 Milliohms maximum

300 Series with Hood and 180° Cable Clamp (CCT)

No. of Contacts	Catalog No. Plug	Catalog No. Socket
2	P-302-CCT	S-302-CCT
3	P-303-CCT	S-303-CCT
4	P-304-CCT	S-304-CCT
6	P-306-CCT	S-306-CCT
8	N/A	N/A
10	P-310-CCT	N/A
12	P-312-CCT	N/A
15	P-315-CCT	S-315-CCT
18	P-318-CCT	S-318-CCT
21	P-321-CCT	S-321-CCT
24	P-324-CCT	S-324-CCT
27	P-327-CCT	S-327-CCT
30	P-330-CCT	S-330-CCT
33	P-333-CCT	S-333-CCT

Dimensions

x= length of plug contacts.



No. of Contacts	A ±.016 (.41mm)		B ±.016 (.41mm)		C ±.031 (.79mm)		E		"D" Cable Opening		Polarizing Pin
	in	mm	in	mm	in	mm	in	mm	in	mm	
2	0.691	17.50	-	-	0.953	24.21	0.359	9.12	0.375	9.53	-
3	1.034	26.26	0.472	11.99	0.953	24.21	0.359	9.12	0.313	7.94	-
4	0.786	19.96	0.724	18.39	0.953	24.21	0.469	11.91	0.375	9.53	-
6	1.036	26.31	0.724	18.39	1.078	27.38	0.484	12.29	0.438	11.13	-
8	-	-	-	-	-	-	-	-	-	-	-
10	1.592	40.44	0.720	18.29	1.203	30.56	0.500	12.70	0.500	12.70	-
12	1.286	32.66	0.974	24.74	1.203	30.56	0.469	11.91	0.563	14.30	-
15	1.795	45.59	1.100	27.94	1.850	46.99	0.712	18.08	0.563	14.30	NO
18	2.107	53.52	1.100	27.94	1.850	46.99	0.712	18.08	0.563	14.30	NO
21	2.420	61.47	1.100	27.94	1.850	46.99	0.712	18.08	0.625	15.88	NO
24	2.732	69.39	1.100	27.94	1.850	46.99	0.712	18.08	0.625	15.88	14
27	3.045	77.34	1.100	27.94	1.850	46.99	0.712	18.08	0.625	15.88	14
30	3.357	85.27	1.100	27.94	1.850	46.99	0.712	18.08	0.750	19.05	14
33	3.670	93.22	1.100	27.94	1.850	46.99	0.712	18.08	0.750	19.05	17