

D-subminiature

Backshells - Super D SDH Series

Features

- The Cinch Super D Interconnection System is a simple, fast, economical, and reliable way for mating connectors from cable to cable or cable to panel.
- Snap-on Super D plastic hoods captivate connectors providing positive, self-latching, audible mating with reliable retention and Latch-N-Lock quick release disconnect.
- Snap-on Super-D plastic hoods are also available with filler ends to utilize 4-40 mounting hardware.
- Super D hoods are available:
 - Straight (180°) or Right-Angle (90°) cable entry.
 - Sizes: 9, 15, 25, and 37.
 - Sizes 15, 25, and 37 are available in standard or large cable openings.
- Black SDH backshells accommodate any standard metal shell IDC, solder cup, or crimp and poke D-subminiature connector.
- Gray SDH backshells accommodate the Cinch All-Plastic IDC T-Series connector.
- Each Super-D plastic hood includes a stay band to strain relief the cable wire. Stay band tool SD-MSBT is required. Extra stay bands are available.

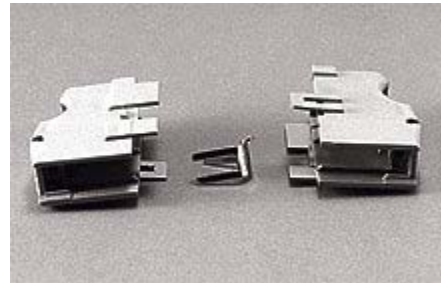
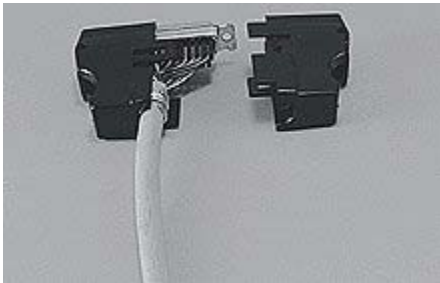
Materials

Hood: Modified phenylene oxide - black for metal shell connectors or gray for all-plastic IDC connectors

Latch Block: Diecast zinc

Screws for Latching Blocks: Steel with nickel plating

Stay Band: Steel with zinc plating and clear chromate finish

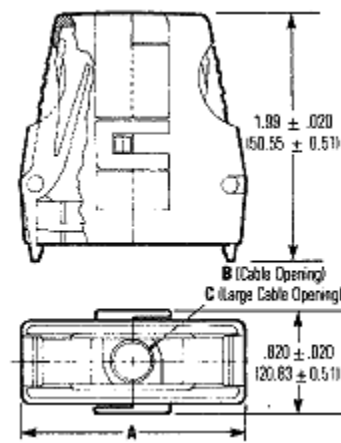
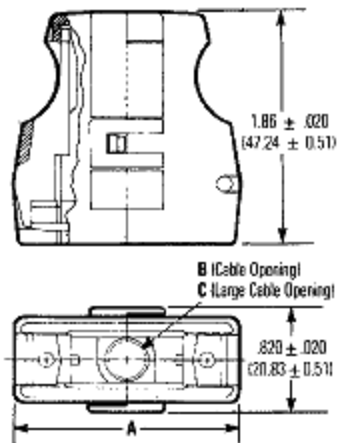


Straight (180°) Cable Entry Black Backshells for Metal Shell Connectors



Adapter Hood with Filler Ends

Adapter Hood with Latches



Dimensions

Positions	A ±.020" (.58mm)		B ±.020" (.58mm)		C ±.020" (.58mm)	
	in	mm	in	mm	in	mm
9	1.47	37.34	0.31	7.87	-	-
15	1.80	45.72	0.31	7.87	0.41	10.41
25	2.35	59.69	0.33	8.40	0.47	11.94
37	2.99	75.95	0.37	9.40	0.50	12.70

Ordering Information

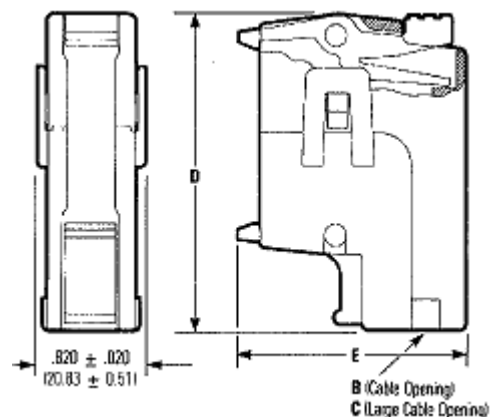
Straight (180°) Cable Entry Black Backshells for Metal Shell Connectors

Positions	Latches		Filler Ends		Filler Ends w/4-40 Screws	
	Standard Cable Opening	Large Cable Opening	Standard Cable Opening	Large Cable Opening	Standard Cable Opening	Large Cable Opening
9	SDH-9BL	N/A	SDH-9BF	N/A	SDH-9BFCS	N/A
15	SDH-15BL	SDH-15BLL	SDH-15BF	SDH-15BFL	SDH-15BFCS	SDH-15BFLCS
25	SDH-25BL	SDH-25BLL	SDH-25BF	SDH-25BFL	SDH-25BFCS	SDH-25BFLCS
37	SDH-37BL	SDH-37BLL	SDH-37BF	SDH-37BFL	SDH-37BFCS	SDH-37BFLCS

Right-Angle (90°) Cable Entry Black Backshells for Metal Shell Connectors



Right-Angle Adapter Hood



Dimensions

Positions	B ±.020" (.58mm)		C ±.020" (.58mm)		D ±.020" (.58mm)		E ±.020" (.58mm)	
	in	mm	in	mm	in	mm	in	mm
9	0.31	7.87	-	-	1.94	49.21	1.25	31.75

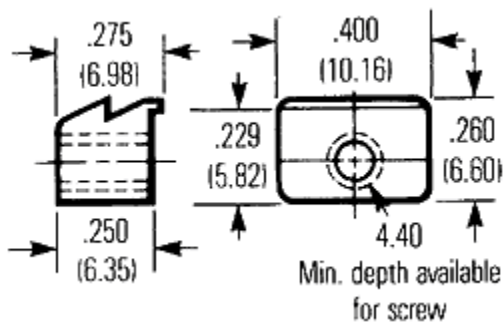
15	0.31	7.87	0.41	10.41	2.25	57.15	1.34	34.13
25	0.33	8.40	0.47	11.94	2.94	74.61	1.50	38.10
37	0.37	9.40	0.50	12.70	3.59	91.28	1.53	38.89

Ordering Information

Right-Angle (90°) Cable Entry Black Backshells for Metal Shell Connectors

Positions	Latches	
	Standard Cable Opening	Large Cable Opening
9	SDH-9RBL	N/A
15	SDH-15RBL	SDH-15RBLL
25	SDH-25RBL	SDH-25RBLL
37	SDH-37RBL	SDH-37RBLL

Latching Blocks for Super D Adapter System



Ordering Information

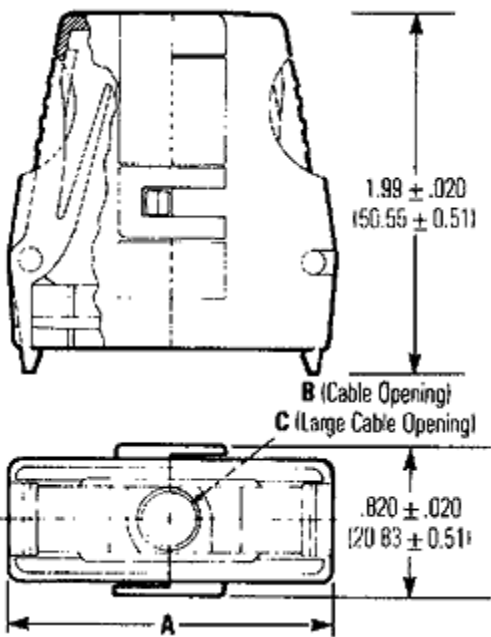
Description	For Panel Thickness	Qty per pack	Qty Required Per SDH Hood	Catalog Number
Latching Block	N/A	1 each	2 each	SD-LB
Latching Block with SEM Screws	Up to .060"	2 each	2 each	SD-LB-060
Removable Mounting Screws for Adapter Hood	N/A	1 each	2 each	4-40UNC2AX3/4
Latching Block with SEM Screws	.060" to .080"	2 each	2 each	SD-LB-060-080
Latching Block with SEM Screws	.080" to .125"	2 each	2 each	SD-LB-125

Fits only T Series All-Plastic IDC connector

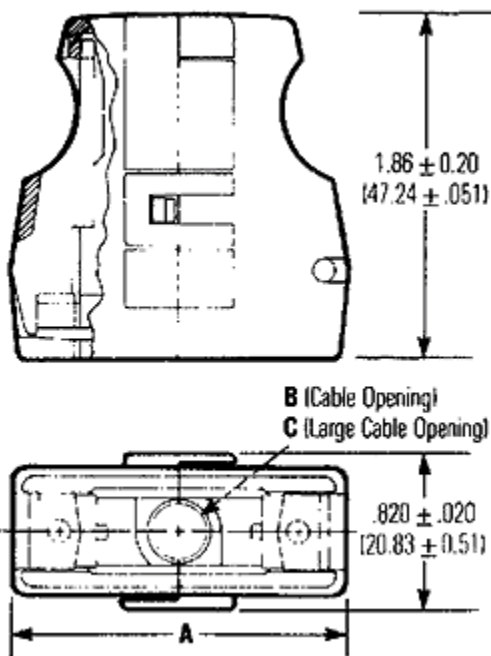
Straight (180°) Cable Entry Gray Backshells for All-Plastic Connectors

With Latches





With Filler Ends



Dimensions

Positions	A ±.020" (.58mm)		B ±.020" (.58mm)		C ±.020" (.58mm)	
	in	mm	in	mm	in	mm
9	1.47	37.34	0.31	7.87	---	---
15	1.80	45.72	0.31	7.87	0.41	10.41
25	2.35	59.69	0.33	8.40	0.47	11.94
37	2.99	75.95	0.37	9.40	0.50	12.70

Ordering Information

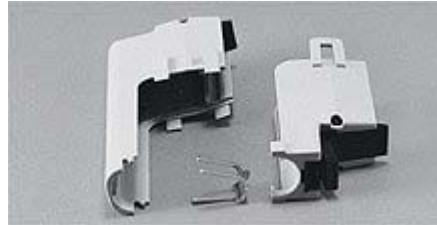
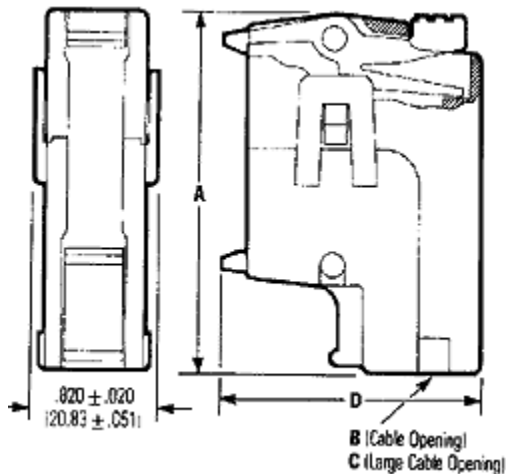
Straight (180°) Cable Entry Gray Backshells for All-Plastic Connectors

--	--	--	--

Positions	Latches		Filler Ends		Filler Ends w/4-40 Screws	
	Standard Cable Opening	Large Cable Opening	Standard Cable Opening	Large Cable Opening	Standard Cable Opening	Large Cable Opening
9	SDH-9GL	N/A	SDH-9GF	N/A	SDH-9GFCS	N/A
15	SDH-15GL	SDH-15GLL	SDH-15GF	SDH-15GFL	SDH-15GFCS	SDH-15GFLCS
25	SDH-25GL	SDH-25GLL	SDH-25GF	SDH-25GFL	SDH-25GFCS	SDH-25GFLCS
37	SDH-37GL	SDH-37GLL	SDH-37GF	SDH-37GFL	SDH-37GFCS	SDH-37GFLCS

Right-Angle (90°) Cable Entry Gray Backshells for All-Plastic Connector

Fits only IDC connectors



Dimensions

Positions	A		B		C		D	
	in	mm	in	mm	in	mm	in	mm
9	1.94	49.21	0.31	7.87	--	---	1.25	31.75
15	2.25	57.15	0.31	7.87	0.41	10.41	1.34	34.13
25	2.94	74.61	0.33	8.40	0.47	11.94	1.50	38.10
37	3.59	91.28	0.37	9.40	0.50	12.70	1.53	38.89

Ordering Information

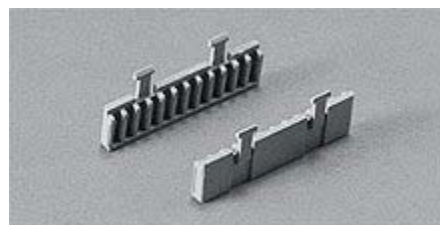
Right-Angle (90°) Cable Entry Gray Backshells for All-Plastic Connectors

Positions	Latches	
	Standard Cable Opening	Large Cable Opening
9	SDH-9RGL	N/A
15	SDH-15RGL	SDH-15RGLL
25	SDH-25RGL	SDH-25RGLL
37	SDH-37RGL	SDH-37RGLL

Ordering Information

Accessories for Gray Backshells

Positions	Optional Strain Reliefs*	Additional Stay Bands**
9	SD-WC9	SD-9-15-SB
15	SD-WC15	SD-9-15-SB
25	SD-WC25	SD-25-37-SB
37	SD-WC37	SD-25-37-SB



* Two each required per backshell.

** Stay band tool #SD-MSBT required.

Screw for screwlocking connector assembly - (2 each required):
4-40NC2AX3/4.

