

## Product Detail



<b>Product Line:</b>	<a href="#">Johnson</a> (Click for customer service)
<b>Part Number:</b>	105-0203-200
<b>Description:</b>	Tip Jack - Insulated Metal Clad: Military Type
<b>Product Family:</b>	TIP JACK
<b>Body Material:</b>	Nylon 6/6 per ASTM D4066
<b>Breakdown Voltage:</b>	5700 Vrms min.
<b>Color / Finish:</b>	Black
<b>Contact Material:</b>	Beryllium copper over brass
<b>Contact Finish:</b>	Gold
<b>Contact Termination:</b>	Solder
<b>Current:</b>	10 amps
<b>Desc 2:</b>	Military Type
<b>Description:</b>	Insulated Metal Clad
<b>For Use With:</b>	.080 (2.00) Tip Plug
<b>Panel Thickness:</b>	Up to .218 (5.45)

20070523-1523

# Tip Jack

## Insulated Metal Clad: Military Type



### SPECIFICATIONS

**Contact:** Brass per QQ-B-626D with wrap around beryllium copper spring per QQ-C-533

**Finish:** Gold

**Body:** Nylon 6/6 per ASTM D4066

**Threaded Brass Jacket:** Per QQ-B-626D, nickel plated

**Hardware:** Nickel plated washer and nut (unassembled)

**Panel Thickness:** Up to .218 (5.45)

### RATINGS

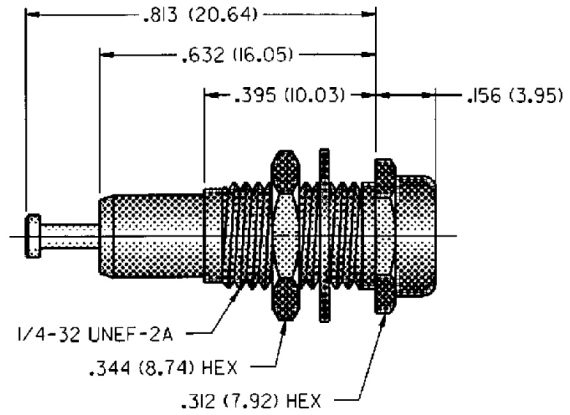
**Current:** 10 amps

**Breakdown Voltage:** 5700 Vrms minimum +

**Contact Resistance:** 0.004 ohms maximum

**Contact-To-Panel C:** 2 pF nominal

Manufactured to meet MIL-C-39024/10



GOLD PLATING		
JCI PART NO. TO MIL-SPEC. PART NO. CROSS REFERENCE		
PART NO.	COLOR	MIL-C-39024/10
105-0203-200	Black	-03

**For Standard Tip Plug: .080 (2.00) Diameter**

### FEATURES:

- Machined contact with turret terminal
- For military or industrial applications
- Closed entry blocks access of probes greater than .085 (2.16)
- Nylon UL approved for self extinguishing