



Connectivity Solutions

Complete or Partial Part #,
Competitor Part # or
Keywords.

Wireless

CATV

Audio & Video

Networking &
Structured Wiring

Military & Aerospace

Test & Measurement

Home

Member Access

Products

Connectors

Microwave Components

CATV Components

Coaxial Cable Assemblies

Structured Cabling & Connectors

Tools & Accessories

Customer Service

Request For Quote

Representatives

Distributors

Literature/Catalog Request

What's New

About Our Brands

Legal Terms

© 2007 All Rights Reserved

Product Detail



Product Line:	Johnson (Click for customer service)
Part Number:	108-0252-001
Description:	Banana Plug - Insulated Stacking Dual Type
Product Family:	BANANA PLUG
Body Material:	Brass per QQ-B-626D
Breakdown Voltage:	3500 Vrms min.
Color / Finish:	Red
Contact Finish:	Nickel
Contact Termination:	Solder
Current:	15 amps
Desc 2:	Dual Type
Description:	Insulated Stacking
For Use With:	.166 (4.23) Banana Jack
RoHS Compliant:	Yes

20070523-1523

Banana Plug - Insulated Stacking Dual Type

SPECIFICATIONS

Plug Body: Brass per QQ-B-626D

Plug Spring: Nickel silver per QQ-C-586

Finish: Nickel

Insulated Handle: Nylon 6/6 per ASTM D4066

RATINGS

Current: 15 amps

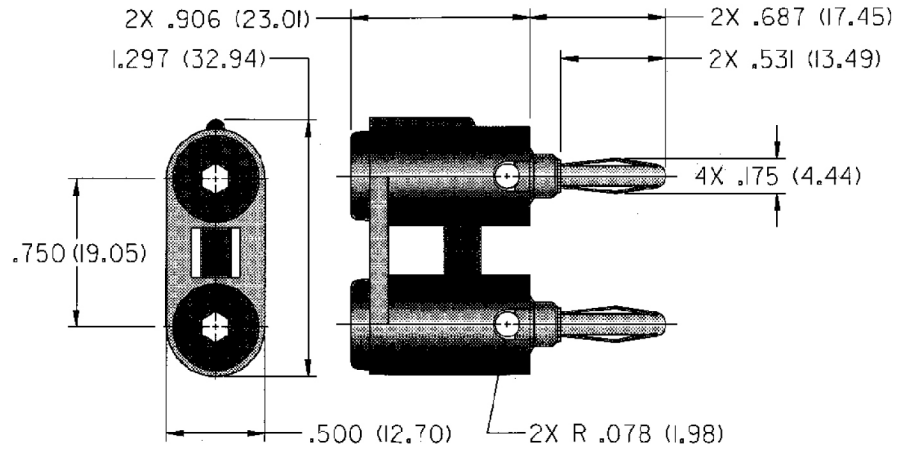
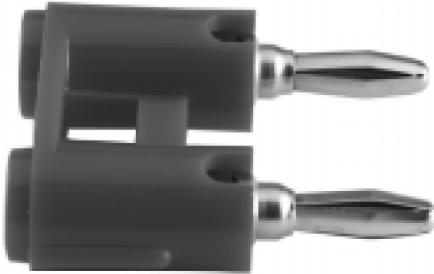
Breakdown Voltage: 3500 Vrms minimum †

Contact Resistance: 0.010 ohms maximum

For Standard Banana Jack: .166 (4.23) Diameter

FEATURES:

- Accepts standard banana plug from rear
- Built-in strain relief for long life
- Nylon UL approved for self extinguishing



NICKEL PLATING	
SET SCREW	
(Accepts wire sizes up to 14 gauge)	
PART NO.	COLOR
108-0252-001	Red