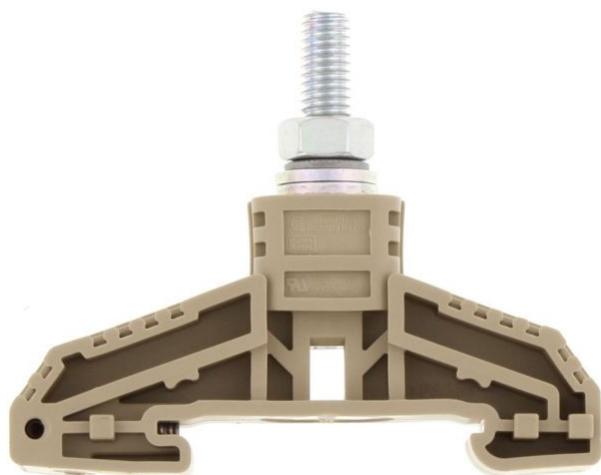


17001.2

HSK 35/M6 B BG

HSK 35/M6 B BG



High-power stud terminal, Stud connection, Mounting type: Mounting rail TS 35/7.5, Rated cross-section: 35 mm<sup>2</sup>, Width: 16 mm, Colour: Beige

## Business data

Product description	High-power stud terminal
Packaging unit	10
Quantity unit	PC
Weight per piece (not including packaging)	25.3
Weight per piece (including packaging)	31.23
Unit of weight	G
Customs number	85369010
Country of origin	DE

**17001.2**

**HSK 35/M6 B BG**

**HSK 35/M6 B BG**

## Technical Data

---

### Dimensions

---

Length	67 mm
Length with TW/ADH	67 mm
Width	16 mm
Height TS 35/7.5	55.5 mm
Height TS 35/7.5 with TW/ADH	58 mm

### Ratings

---

Rated voltage	1000 V
Rated current	125 A
Rated cross-section	35 mm <sup>2</sup>
Rated impulse voltage	8 kV
Overvoltage category	III
Contamination degree	3

17001.2

HSK 35/M6 B BG

HSK 35/M6 B BG

## Technical Data

---

### Connection data

---

Connection principle	Stud connection
Connection position	Top
Connections	1
Number of terminals per level	1
Number of levels	1
Wire cross-section AWG, min.	14
Wire cross-section AWG, max.	2
Bolt head	Hexagon
Bolt thread	M 6
Tightening torque, min.	3 Nm
Tightening torque, max.	6 Nm
Contact wire range	≤ 35 mm <sup>2</sup>

### Materials

---

Insulation housing	Polyamide 6.6
Flammability class UL 94	V-0
Working temperature, min.	-40 °C
Working temperature, max.	120 °C

**17001.2**

**HSK 35/M6 B BG**

**HSK 35/M6 B BG**

## Technical Data

---

### Further technical data

---

Mounting type	Mounting rail TS 35/7,5
Number of cross-connection channels	1
DIN 46234 / 1 cable lug per side, min.	2.5 mm <sup>2</sup>
DIN 46234 / 1 cable lug per side, max.	35 mm <sup>2</sup>
DIN 46234 / 2 cable lugs per side, min.	2.5 mm <sup>2</sup>
DIN 46234 / 2 cable lugs per side, max.	35 mm <sup>2</sup>
DIN 46235: 1 cable lug per side, max.	35 mm <sup>2</sup>
DIN 46235: 1 cable lug per side, min.	6 mm <sup>2</sup>
DIN 46235: 2 cable lugs per side, min.	6 mm <sup>2</sup>
DIN 46235: 2 cable lugs per side, max.	35 mm <sup>2</sup>

**17001.2**

**HSK 35/M6 B BG**

**HSK 35/M6 B BG**

## Approvals

---

### Standards and regulations

---

EAC approval	TR ZU 004/2011
--------------	----------------

EAC approval granted	✓
----------------------	---

### CSA approval

---

CSA approval	C22.2 No 158
--------------	--------------

CSA approval granted	✓
----------------------	---

CSA Usegroup C: rated voltage	1000 V
-------------------------------	--------

CSA Usegroup C: rated current	115 A
-------------------------------	-------

CSA Usegroup D: rated voltage	1000 V
-------------------------------	--------

CSA Usegroup D: rated current	115 A
-------------------------------	-------

CSA wire cross-section AWG, max.	4
----------------------------------	---

CSA torque, max.	12.4 Nm
------------------	---------

**17001.2**

**HSK 35/M6 B BG**

**HSK 35/M6 B BG**

## Approvals

---

### CSAus approval

---

CSAus approval	UL 1059
CSAus approval granted	✓
CSAus Usegroup C: rated voltage	1000 V
CSAus Usegroup C: rated current	115 A
CSAus Usegroup D: rated voltage	1000 V
CSAus Usegroup D: rated current	115 A
CSAus wire cross-section AWG, max.	4
CSAus torque, max.	12.4 Nm

### cUL Recognized

---

cUL Recognized	C22.2 No 158
cUL Recognized	✓
cUL Usegroup E: rated voltage	1000 V
cUL Usegroup E: rated current	115 A
cUL wire cross-section AWG, max.	2
cUL torque, max.	12.4 Nm
cUL wire material	Cu

17001.2

HSK 35/M6 B BG

HSK 35/M6 B BG

## Approvals

---

### KEMA KEUR approval

---

KEMA KEUR approval	EN 60947-7-1
KEMA KEUR approval granted	✓
KEMA rated voltage	1000 V
KEMA rated current	125 A
KEMA rated impulse voltage	8 kV
KEMA wire cross-section (DIN 46234), min.	2.5 mm <sup>2</sup>
KEMA wire cross-section (DIN 46234), max.	35 mm <sup>2</sup>
KEMA wire cross-section (DIN 46235), min.	6 mm <sup>2</sup>
KEMA wire cross-section (DIN 46235), max.	35 mm <sup>2</sup>

### UL Recognized

---

UL Recognized	UL 1059
UL Recognized granted	✓
UL Usegroup E: rated voltage	1000 V
UL Usegroup E: rated current	115 A
UL wire cross-section AWG, max.	2
UL torque, max.	109.7 Lb In.
UL wire material	Cu
UL factory wiring	✓

# Datasheet



17001.2

HSK 35/M6 B BG

HSK 35/M6 B BG

## Approvals

---

### UL Recognized

---

UL field wiring

✓



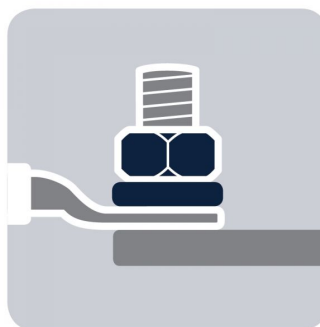
17001.2

HSK 35/M6 B BG

HSK 35/M6 B BG

## Media

---



EAC



17001.2

HSK 35/M6 B BG

HSK 35/M6 B BG

## Accessories

---

### Cover hood

---



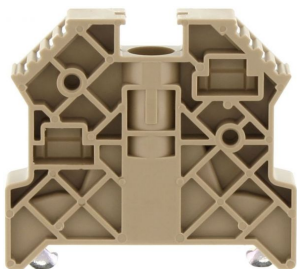
Cover profile, Length: 70 mm, Width: 16 mm, Colour: Yellow

### In general

Order number	Article designation	GTIN (EAN)	Packaging unit
17020.8	AD 35	4044211131654	20 PC

### End bracket

---



End stop, Mounting type: Mounting rail TS 35/7.5, Width: 9.5 mm, Colour: Beige

### In general

Order number	Article designation	GTIN (EAN)	Packaging unit
2828.0	ES 35/K/ST	4044211055547	50 PC

17001.2

HSK 35/M6 B BG

HSK 35/M6 B BG

## Accessories

---

### Cross connector

---



Cross-connector, No. of poles: 2, Mounting type: Can be screwed on, Width: 37 mm, Rated cross-section: 35 mm<sup>2</sup>, Colour: natural

### In general

Order number	Article designation	GTIN (EAN)	Packaging unit
17028.2	QS 2 HSK 35/M6 - M8	4044211139735	1 PC

---



Cross-connector, No. of poles: 2, Mounting type: Can be screwed on, Width: 32 mm, Rated cross-section: 35 mm<sup>2</sup>, Colour: natural

### In general

Order number	Article designation	GTIN (EAN)	Packaging unit
17010.0	QS 2/35	4044211131555	10 PC

---

17001.2

HSK 35/M6 B BG

HSK 35/M6 B BG

## Accessories

---

### Cross connector

---



Cross-connector, No. of poles: 3, Mounting type: Can be screwed on, Width: 82 mm, Rated cross-section: 35 mm<sup>2</sup>, Colour: natural

### In general

Order number	Article designation	GTIN (EAN)	Packaging unit
17029.2	QS 3 HSK 35/M6 - M10/2	4044211139742	1 PC

---



Cross-connector, No. of poles: 3, Mounting type: Can be screwed on, Width: 50 mm, Rated cross-section: 35 mm<sup>2</sup>, Colour: natural

### In general

Order number	Article designation	GTIN (EAN)	Packaging unit
17011.0	QS 3/35	4044211131562	10 PC

---

17001.2

HSK 35/M6 B BG

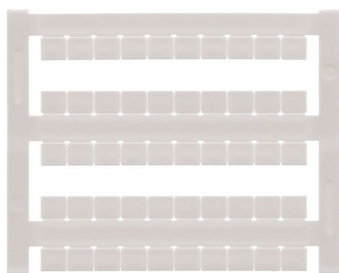
HSK 35/M6 B BG

## Accessories

---

### Quick-marking

---



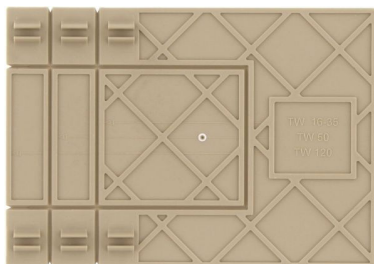
Terminal marker / Pocket Maxicard, Length: 5 mm,  
Width: 6 mm, Colour: White

### In general

Order number	Article designation	GTIN (EAN)	Packaging unit
4702.7	PMC SB 6/50 WH	4044211089986	500 PC

### Partition plate

---



Partition plate, Width: 2 mm, Colour: Beige

### In general

Order number	Article designation	GTIN (EAN)	Packaging unit
17018.2	TW 16-120	4044211131630	20 PC