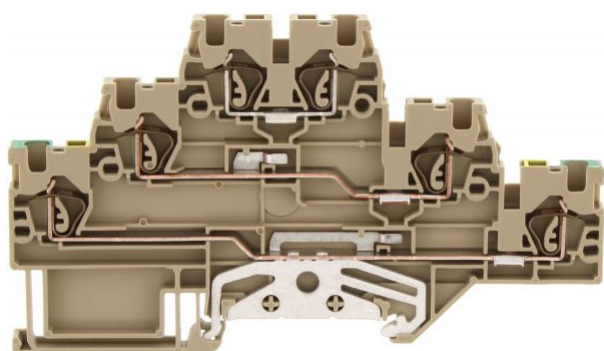


3592.2

ZIKD 2,5/PE/L/L BG

ZIKD 2,5/PE/L/L BG



Three-level initiator terminal | Multi-wire terminal, Tension-spring connection, Mounting type: Mounting rail TS 35/7.5, Rated cross-section: 2.5 mm², Width: 5.1 mm, Colour: Beige

Business data

Product description	Three-level initiator terminal
Packaging unit	50
Quantity unit	PC
Weight per piece (not including packaging)	26.6
Weight per piece (including packaging)	28
Unit of weight	G
Customs number	85369010
Country of origin	DE

3592.2

ZIKD 2,5/PE/L/L BG

ZIKD 2,5/PE/L/L BG

Technical Data

Dimensions

Length	116.2 mm
Width	5.1 mm
Height TS 35/7.5	68 mm

Ratings

Rated voltage	500 V
Rated current	24 A
Rated cross-section	2.5 mm ²
Rated impulse voltage	6 kV
Overvoltage category	III
Contamination degree	3

3592.2

ZIKD 2,5/PE/L/L BG

ZIKD 2,5/PE/L/L BG

Technical Data

Connection data

Connection principle	Tension-spring connection
Connection position	Top
Connections	3 x 2
Number of terminals per level	2
Number of levels	3
Wire cross-section single-core (rigid) / stranded, min.	0.5 mm ²
Wire cross-section single core (rigid)/stranded, max.	4 mm ²
Wire cross-section stranded, min.	0.5 mm ²
Wire cross-section stranded, max.	4 mm ²
Wire cross-section stranded with wire-end ferrules, min.	0.5 mm ²
Wire cross-section stranded with wire-end ferrules, max.	2.5 mm ²
Wire cross-section AWG, min.	20
Wire cross-section AWG, max.	12
Stripping length	10 mm

Materials

Insulation housing	Polyamide 6.6
Flammability class UL 94	V-0
Working temperature, min.	-40 °C

3592.2

ZIKD 2,5/PE/L/L BG

ZIKD 2,5/PE/L/L BG

Technical Data

Materials

Working temperature, max.	120 °C
---------------------------	--------

Further technical data

Mounting type	Mounting rail TS 35/7,5
---------------	-------------------------

Gauge plug acc. to EN 60 947-1	A3
--------------------------------	----

Number of cross-connection channels	2
-------------------------------------	---

End plate required	✓
--------------------	---

Number of test pick-off options	6
---------------------------------	---

PE connection available	✓
-------------------------	---

Can be cross-connected	✓
------------------------	---

3592.2

ZIKD 2,5/PE/L/L BG

ZIKD 2,5/PE/L/L BG

Approvals

Standards and regulations

EAC approval	TR ZU 004/2011
--------------	----------------

EAC approval granted	✓
----------------------	---

CSA approval

CSA approval	C22.2 No 158
--------------	--------------

CSA approval granted	✓
----------------------	---

CSA Usegroup C: rated voltage	300 V
-------------------------------	-------

CSA Usegroup C: rated current	15 A
-------------------------------	------

CSA wire cross-section AWG, min.	20
----------------------------------	----

CSA wire cross-section AWG, max.	12
----------------------------------	----

CSA stripping length	10 mm
----------------------	-------

CSAus approval

CSAus approval	UL 1059
----------------	---------

CSAus approval granted	✓
------------------------	---

CSAus Usegroup C: rated voltage	300 V
---------------------------------	-------

CSAus Usegroup C: rated current	15 A
---------------------------------	------

CSAus wire cross-section AWG, min.	20
------------------------------------	----

3592.2

ZIKD 2,5/PE/L/L BG

ZIKD 2,5/PE/L/L BG

Approvals

CSAus approval

CSAus wire cross-section AWG, max.	12
CSAus stripping length	10 mm

cUL Recognized

cUL Recognized	C22.2 No 158
cUL Recognized	✓
cUL Usegroup B: rated voltage	300 V
cUL Usegroup B: rated current	15 A
cUL Usegroup C: rated voltage	300 V
cUL Usegroup C: rated current	15 A
cUL Usegroup D: rated voltage	300 V
cUL Usegroup D: rated current	15 A
cUL wire cross-section single-core (rigid) AWG, min.	20
cUL wire cross-section single-core (rigid) AWG, max.	12
cUL wire cross-section stranded AWG, min.	20
cUL wire cross-section stranded AWG, max.	12
cUL wire material	Cu

3592.2

ZIKD 2,5/PE/L/L BG

ZIKD 2,5/PE/L/L BG

Approvals

German Lloyd approval

GL approval	IEC 60947-7-1
GL approval granted	✓
GL rated voltage	500 V
GL rated current	24 A
GL wire cross-section single core (rigid), min.	2.5 mm ²
GL wire cross-section single-core (rigid), max.	4 mm ²
GL wire cross-section, min.	2.5 mm ²
GL wire cross-section stranded, max.	4 mm ²
GL environmental category	C

KEMA KEUR approval

KEMA KEUR approval	EN 60947-7-1
KEMA KEUR approval granted	✓
KEMA rated voltage	500 V
KEMA rated current	24 A
KEMA rated impulse voltage	6 kV
KEMA wire cross-section single core (rigid), min.	0.5 mm ²
KEMA wire cross-section single-core (rigid), max.	4 mm ²
KEMA wire cross-section stranded, min.	0.5 mm ²

3592.2

ZIKD 2,5/PE/L/L BG

ZIKD 2,5/PE/L/L BG

Approvals

KEMA KEUR approval

KEMA wire cross-section stranded, max.	4 mm ²
--	-------------------

UL Recognized

UL Recognized	UL 1059
---------------	---------

UL Recognized granted	✓
-----------------------	---

UL Usegroup B: rated voltage	300 V
------------------------------	-------

UL Usegroup B: rated current	15 A
------------------------------	------

UL Usegroup C: rated voltage	300 V
------------------------------	-------

UL Usegroup C: rated current	15 A
------------------------------	------

UL Usegroup D: rated voltage	300 V
------------------------------	-------

UL Usegroup D: rated current	15 A
------------------------------	------

UL wire cross-section single-core (rigid) AWG, min.	20
---	----

UL wire cross-section single-core (rigid) AWG, max.	12
---	----

UL wire cross-section stranded AWG, min.	20
--	----

UL wire cross-section stranded AWG, max.	12
--	----

UL wire material	Cu
------------------	----

UL factory wiring	✓
-------------------	---

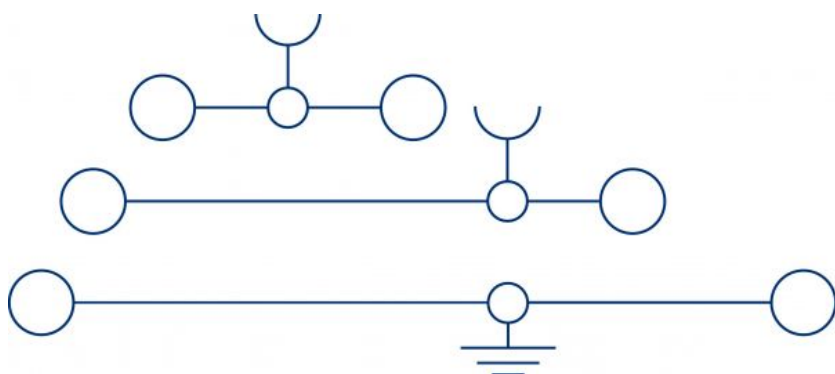
UL field wiring	✓
-----------------	---

3592.2

ZIKD 2,5/PE/L/L BG

ZIKD 2,5/PE/L/L BG

Media



3592.2

ZIKD 2,5/PE/L/L BG

ZIKD 2,5/PE/L/L BG

Media



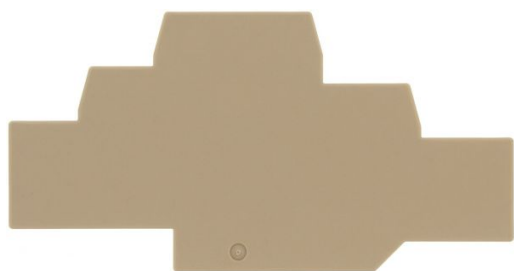
3592.2

ZIKD 2,5/PE/L/L BG

ZIKD 2,5/PE/L/L BG

Accessories

End plate



End plate, Width: 1.5 mm, Colour: Beige

In general

Order number	Article designation	GTIN (EAN)	Packaging unit
3761.2	ZAP 2,5/ID	4044211060855	20 PC

Actuating tool



Actuating tool, No. of poles: 1, Colour: Black

In general

Order number	Article designation	GTIN (EAN)	Packaging unit
3808.0	BWMA 1 (0,5 x 3,5 mm)	4044211078850	1 PC

3592.2

ZIKD 2,5/PE/L/L BG

ZIKD 2,5/PE/L/L BG

Accessories

Marking adapter

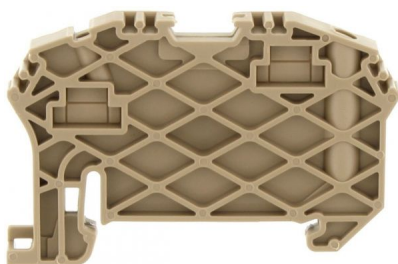


Label holder, Pitch size: 5.1 mm, Colour: beige

In general

Order number	Article designation	GTIN (EAN)	Packaging unit
3813.2	ZBA 3 BG	4044211080747	50 PC

End bracket



End stop, Mounting type: Mounting rail TS 35/7.5 and TS 35/15, Width: 6 mm, Colour: Beige

In general

Order number	Article designation	GTIN (EAN)	Packaging unit
3748.2	ZES 35	4044211060572	50 PC

3592.2

ZIKD 2,5/PE/L/L BG

ZIKD 2,5/PE/L/L BG

Accessories

Test adapter



Test adapter, Pitch size: 5.1 mm, Colour: Beige

In general

Order number	Article designation	GTIN (EAN)	Packaging unit
3740.2	ZTA 2,5	4044211060497	10 PC

Insulated cross connector



Insulated cross-connector, No. of poles: 99, Mounting type: Plug in, Width: 500 mm, Rated cross-section: 2.5 mm², Colour: Yellow

In general

Order number	Article designation	GTIN (EAN)	Packaging unit
3719.8	ZQI 2,5/0,5 m/99 poles	4044211060374	2 PC

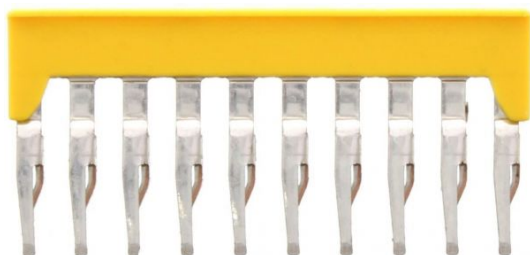
3592.2

ZIKD 2,5/PE/L/L BG

ZIKD 2,5/PE/L/L BG

Accessories

Insulated cross connector



Insulated cross-connector, No. of poles: 10, Mounting type: Plug in, Width: 49.9 mm, Rated cross-section: 2.5 mm², Colour: Yellow

In general

Order number	Article designation	GTIN (EAN)	Packaging unit
3718.8	ZQI 2,5/10	4044211060367	10 PC



Insulated cross-connector, No. of poles: 2, Mounting type: Plug in, Width: 9.1 mm, Rated cross-section: 2.5 mm², Colour: Yellow

In general

Order number	Article designation	GTIN (EAN)	Packaging unit
3710.8	ZQI 2,5/2	4044211060282	50 PC

3592.2

ZIKD 2,5/PE/L/L BG

ZIKD 2,5/PE/L/L BG

Accessories

Insulated cross connector



Insulated cross-connector, No. of poles: 3, Mounting type: Plug in, Width: 14.2 mm, Rated cross-section: 2.5 mm², Colour: Yellow

In general

Order number	Article designation	GTIN (EAN)	Packaging unit
3711.8	ZQI 2,5/3	4044211060299	50 PC



Insulated cross-connector, No. of poles: 4, Mounting type: Plug in, Width: 19.3 mm, Rated cross-section: 2.5 mm², Colour: Yellow

In general

Order number	Article designation	GTIN (EAN)	Packaging unit
3712.8	ZQI 2,5/4	4044211060305	20 PC

3592.2

ZIKD 2,5/PE/L/L BG

ZIKD 2,5/PE/L/L BG

Accessories

Insulated cross connector



Insulated cross-connector, No. of poles: 5, Mounting type: Plug in, Width: 24.4 mm, Rated cross-section: 2.5 mm², Colour: Yellow

In general

Order number	Article designation	GTIN (EAN)	Packaging unit
3713.8	ZQI 2,5/5	4044211060312	20 PC



Insulated cross-connector, No. of poles: 6, Mounting type: Plug in, Width: 29.5 mm, Rated cross-section: 2.5 mm², Colour: Yellow

In general

Order number	Article designation	GTIN (EAN)	Packaging unit
3714.8	ZQI 2,5/6	4044211060329	20 PC

3592.2

ZIKD 2,5/PE/L/L BG

ZIKD 2,5/PE/L/L BG

Accessories

Insulated cross connector



Insulated cross-connector, No. of poles: 7, Mounting type: Plug in, Width: 34.6 mm, Rated cross-section: 2.5 mm², Colour: Yellow

In general

Order number	Article designation	GTIN (EAN)	Packaging unit
3715.8	ZQI 2,5/7	4044211060336	20 PC



Insulated cross-connector, No. of poles: 8, Mounting type: Plug in, Width: 39.7 mm, Rated cross-section: 2.5 mm², Colour: Yellow

In general

Order number	Article designation	GTIN (EAN)	Packaging unit
3716.8	ZQI 2,5/8	4044211060343	10 PC

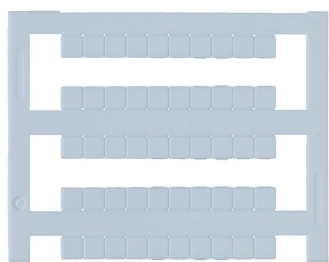
3592.2

ZIKD 2,5/PE/L/L BG

ZIKD 2,5/PE/L/L BG

Accessories

Quick-marking



Terminal marker / Pocket Maxicard, Length: 5 mm,
Width: 5 mm, Colour: White

In general

Order number	Article designation	GTIN (EAN)	Packaging unit
4600.7	PMC SB 5/50 WH	4044211088903	500 PC

Fourfold-cover



Cover, Length: 6.7 mm, Width: 20.4 mm, Colour:
Yellow

In general

Order number	Article designation	GTIN (EAN)	Packaging unit
3706.0	ZAD 2,5/4/B	4044211060244	20 PC
