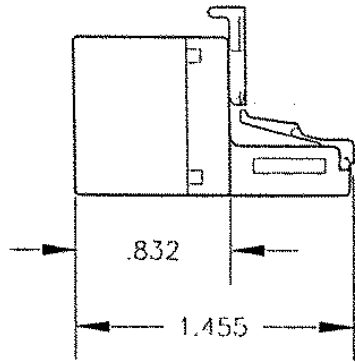
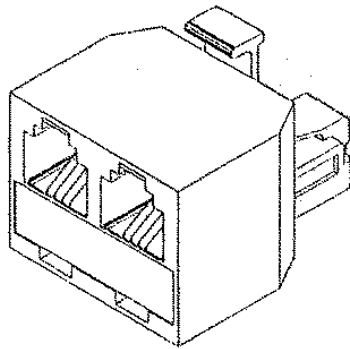


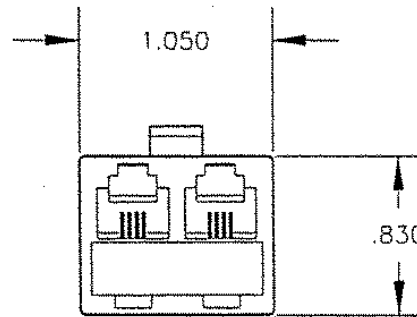
SIDE VIEW



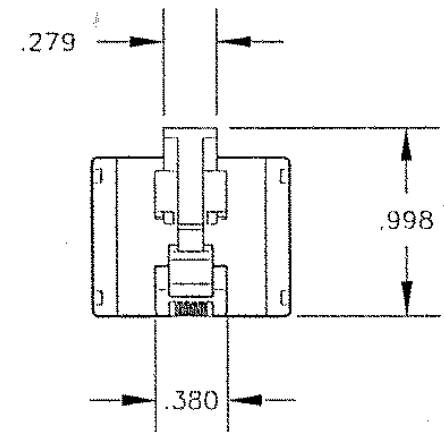
PERSPECTIVE VIEW



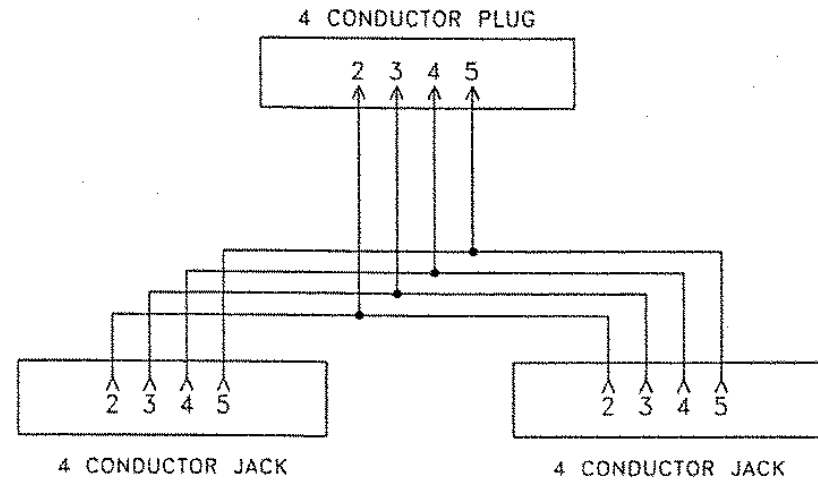
FRONT VIEW



BACK VIEW



WIRING SCHEMATIC



- 1. BLOCK HOUSING : ABS MOLDING COMPOUND  
CONTACTS : PHOSPHOR BRONZE, 50 μ INCHES  
GOLD OVER NICKEL PLATE
- 2. ALL DIMENSIONS ARE APROXIMATE & SHOULD BE  
USED FOR REFERENCE ONLY.
- 3. UL LISTING E136760



DESCRIPTION: MODULAR I-ADAPTER, 6 POSITION 4 CONTACTS

COLOR: LIGHT ASH

MATERIAL:

DWG NO. D.S. 1486

CHK: APRVD: REV.: A

DWG BY: A. MEDINA  
 DATE: 02-22-2000  
 DO NOT SCALE  
 PART NO.:  
**AMK-0026**