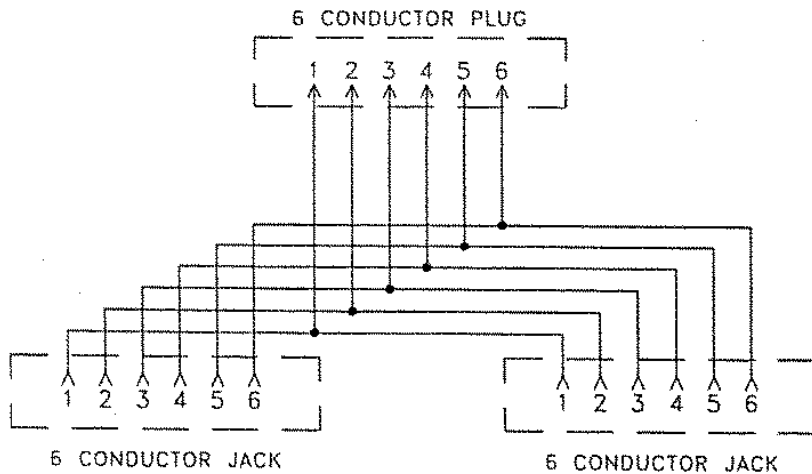


PIN 1

PIN 1

WIRING SCHEMATIC



MATERIAL:

ADAPTER - (HOUSING) ABS MOLDING COMPOUND
(CONTACT) - PHOSPHOR BRONZE, GOLD
OVER NICKEL PLATE

2. ALL DIMENSIONS ARE APPROXIMATE AND SHOULD
BE USED FOR REFERENCE ONLY.



DESCRIPTION: MODULAR "I" ADAPTER RJ12

COLOR: IVORY

MATERIAL:

DWG NO. D.S. 1933

CHK: *D*

APRVD: *A*

REV.:

DWG BY: Q. NGUYEN
DATE: 03-14-2000

DO NOT SCALE

PART NO.:

AMK-0051