

**MODEL:** CEP-2242 | **DESCRIPTION:** PIEZO AUDIO INDICATOR

**FEATURES**

- driving circuit included
- rated frequency (Hz) of 4,100
- SPL 70 dB



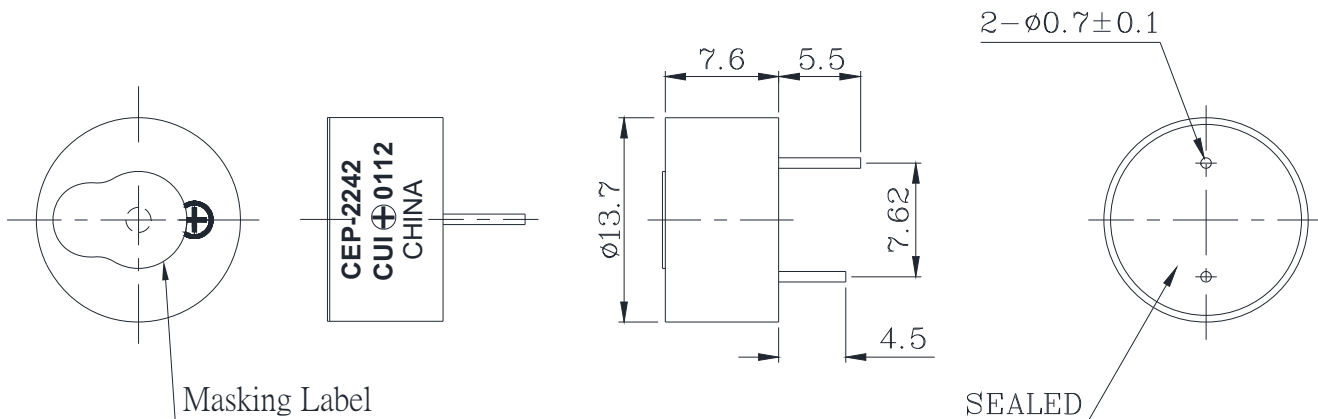
**SPECIFICATIONS**

parameter	conditions/description	min	typ	max	units
rated voltage			12		Vdc
operating voltage		3		16	Vdc
current consumption	at rated voltage			7	mA
sound pressure level	at 30 cm / 12 Vdc	70			dB
resonant frequency		3.6	4.1	4.6	kHz
tone	continuous				
dimensions	ø13.7 x H7.6				mm
weight				1.0	g
material	noryl (black)				
terminal	pin type (Au plating)				
operating temperature		-20		70	°C
storage temperature		-30		80	°C
RoHS	2011/65/EU				

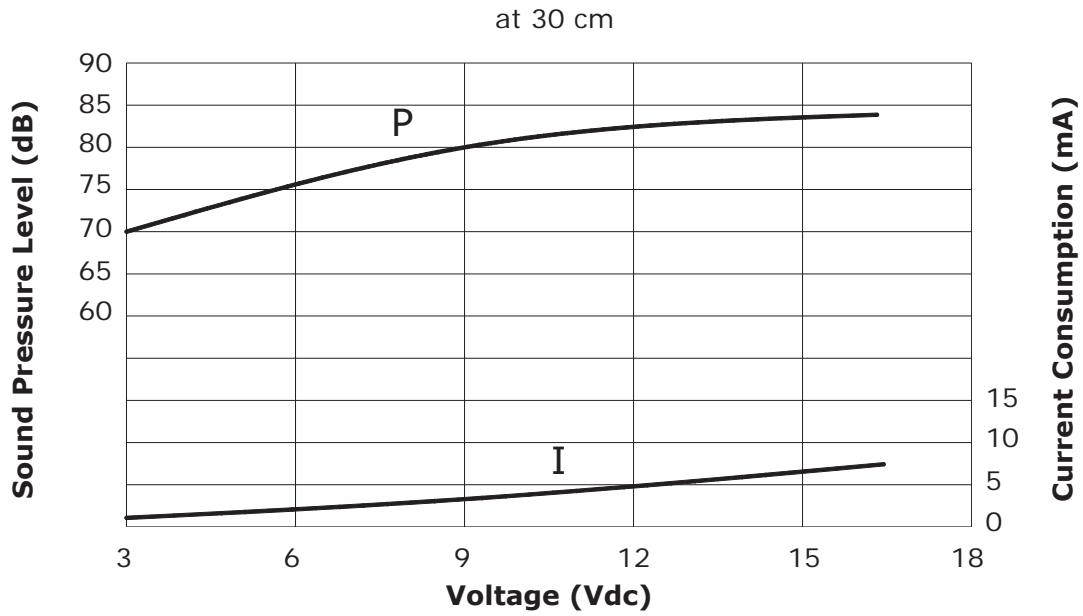
Note: 1. Not recommended for wave soldering

**MECHANICAL DRAWING**

units: mm  
tolerance: ±0.5



## VOLTAGE: SOUND PRESSURE LEVEL / CURRENT CONSUMPTION CHARACTERISTICS



## REVISION HISTORY

rev.	description	date
1.0	initial release	12/21/2005
1.01	spec. update	07/21/2006
1.02	applied new template	11/15/2012
1.03	added soldering note	06/04/2013
1.04	updated spec	11/18/2013

The revision history provided is for informational purposes only and is believed to be accurate.



**Headquarters**  
20050 SW 112th Ave.  
Tualatin, OR 97062  
**800.275.4899**

Fax 503.612.2383  
**cui.com**  
techsupport@cui.com

CUI offers a one (1) year limited warranty. Complete warranty information is listed on our website.

CUI reserves the right to make changes to the product at any time without notice. Information provided by CUI is believed to be accurate and reliable. However, no responsibility is assumed by CUI for its use, nor for any infringements of patents or other rights of third parties which may result from its use.

CUI products are not authorized or warranted for use as critical components in equipment that requires an extremely high level of reliability. A critical component is any component of a life support device or system whose failure to perform can be reasonably expected to cause the failure of the life support device or system, or to affect its safety or effectiveness.