



Part No: CLS0401MAE

Date: 7/03/2007

Unit: mm

Description: speaker

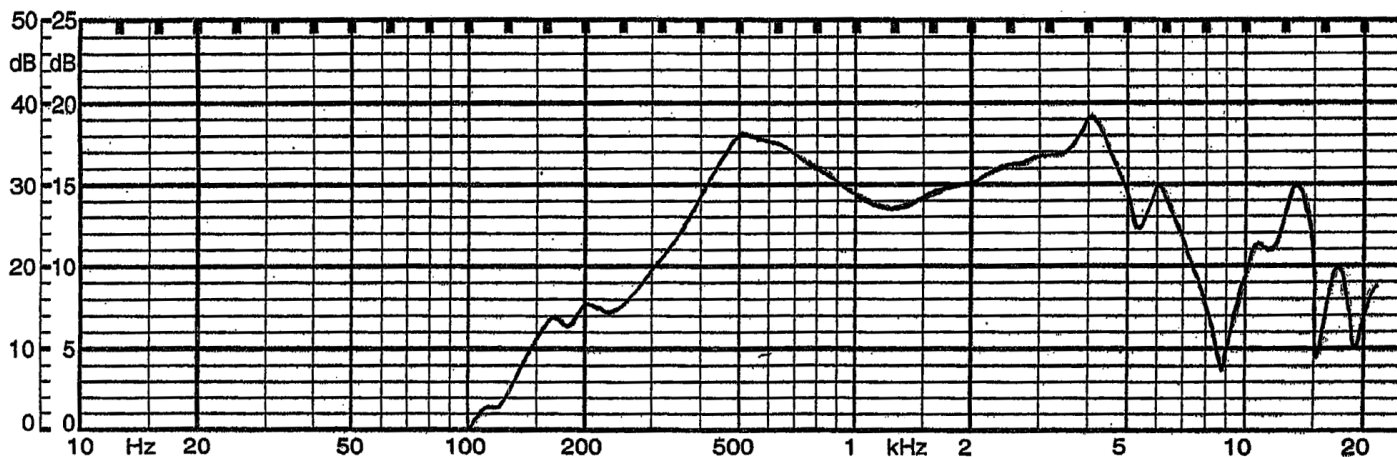
Page No: 1 of 2

### Specifications

Nominal Size	40 mm		
Impedance	4 Ohm $\pm$ 15%	at	1 KHz 1 V
Resonant frequency	500 Hz $\pm$ 100 Hz	at	1 V
Sound pressure level	91 dB/w $\pm$ 3 dB	1 w 50 cm ave at	0.6K, 0.8K, 1K, 1.2K Hz
Response	Fo Hz ~ 7 KHz max 10 dB		
Input power	Nominal 1 W	Handling capacity	2 W
Operation	must be normal at program source 1 W		
Buzz, rattle, etc.	must be normal at sine wave 2 V		
Magnet	Size: 12.5 x 1.5 mm		
Load test	White noise 1 W	for	24 hours
Heat test	60 $\pm$ 2° C	20-50% R.H.	24 hours
Humidity test	40 $\pm$ 2° C	90-95% R.H.	24 hours

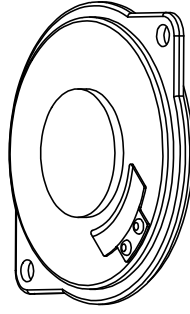
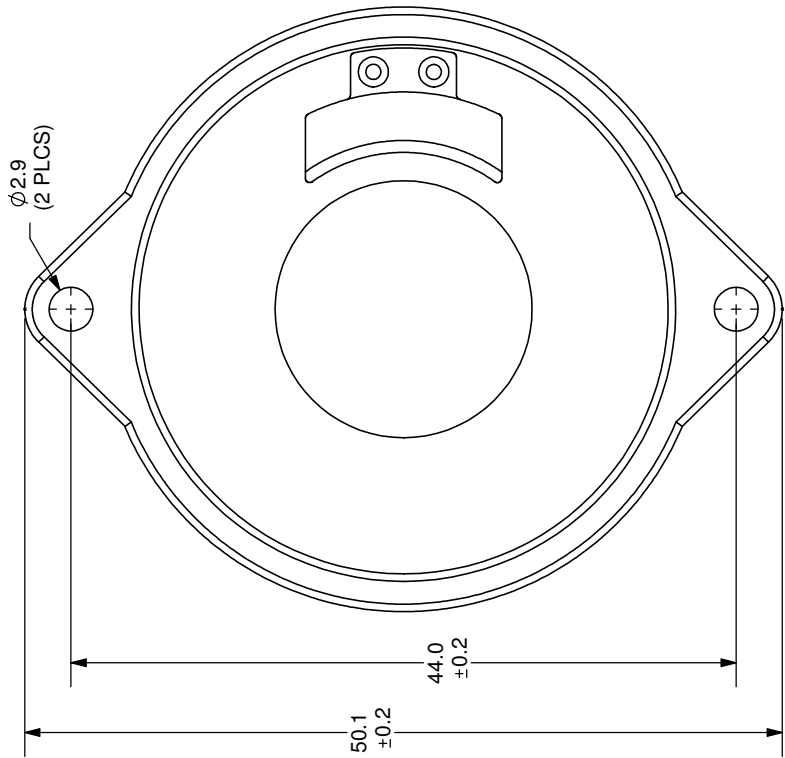
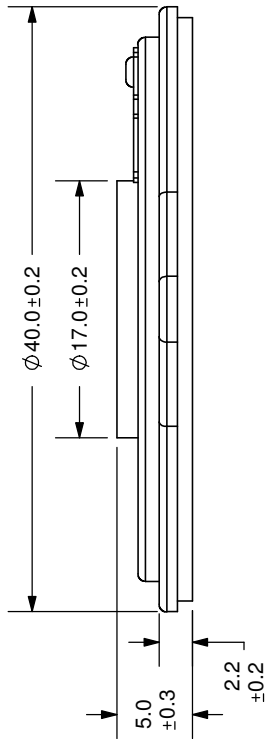
### Frequency Response Curve

Potentiometer range	50 dB
Rectifier	RMS
Lower limit frequency	20 Hz
Wr. speed	100 mm/sec



Zero level 60 dB

REV.	DESCRIPTION	DATE
A	NEW DRAWING	7/3/2007



SCALE 1:1



TOLERANCE:  
±0.5mm UNLESS OTHERWISE  
SPECIFIED



**CUI INC**

20050 SW 112th Ave.  
Tualatin, OR 97062  
Phone: 503-612-2300  
800-275-4899  
Fax: 503-612-2383  
Website: [www.cui.com](http://www.cui.com)

TITLE: LOW PROFILE SPEAKER	REV: A
PART NO: CLS0401MAE	UNITS: MM [INCHES]
DRAWN BY: ZRJ	APPROVED BY:
	SCALE: 2:1