

**MODEL:** CMC-9745-44P | **DESCRIPTION:** ELECTRET CONDENSER MICROPHONE

**FEATURES**

- omnidirectional
- pin mount
- 3 Vdc operating voltage


**SPECIFICATIONS**

parameter	conditions/description	min	typ	max	units
directivity	omnidirectional				
sensitivity (S)	f = 1 kHz, 1 Pa, 0 dB = 1 V/Pa	-47	-44	-41	dB
standard operating voltage (Vs)			3		Vdc
max operating voltage				10	Vdc
output impedance (Zout)	f = 1 kHz, 1 Pa		2.2		kΩ
sensitivity reduction (ΔS-Vs)	f = 1 kHz, 1 Pa, Vs = 3.0 ~ 2.0 Vdc		-3		dB
frequency (f)		20		20,000	Hz
current consumption (IDSS)	Vs = 3.0 Vdc, RL = 2.2 kΩ			0.5	mA
signal to noise ratio (S/N)	f = 1 kHz, 1 Pa, A-weighted		60		dBA
dimensions	Ø9.7 x 4.5				mm
material	Al				
terminal	pin type				
weight				0.8	g
operating temperature		-20		70	°C
storage temperature		-20		70	°C
RoHS	2011/65/EU				

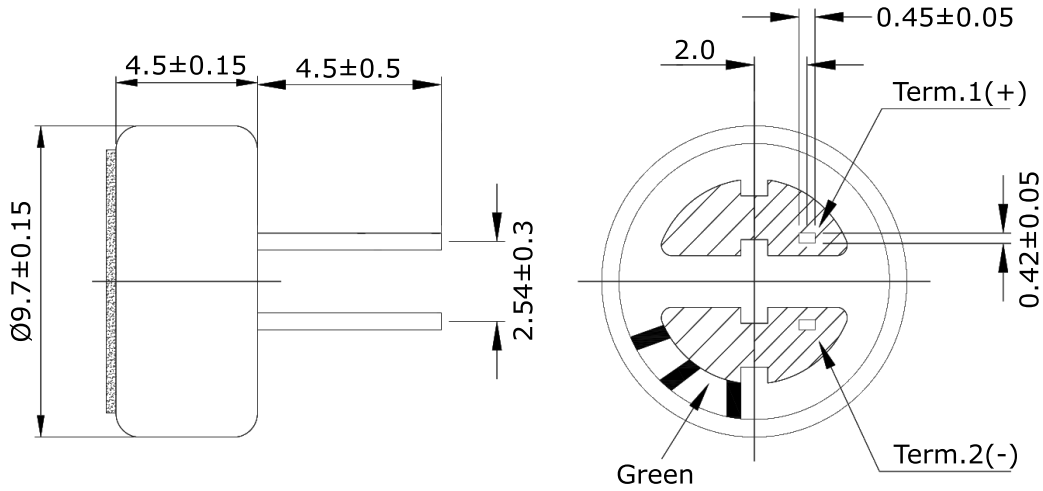
Notes: 1. We use the "Pascal (Pa)" indication of sensitivity as per the recommendation of I.E.C. (International Electrotechnical Commission). The sensitivity of "Pa" will increase 20 dB compared to the "ubar" indication. Example: -60 dB (0 dB = 1 V/ubar) = -40 dB (1V/Pa)  
 2. All specifications measured at 5~35°C, humidity at 45~85%, under 86~106 kPa pressure, unless otherwise noted.

**SOLDERABILITY**

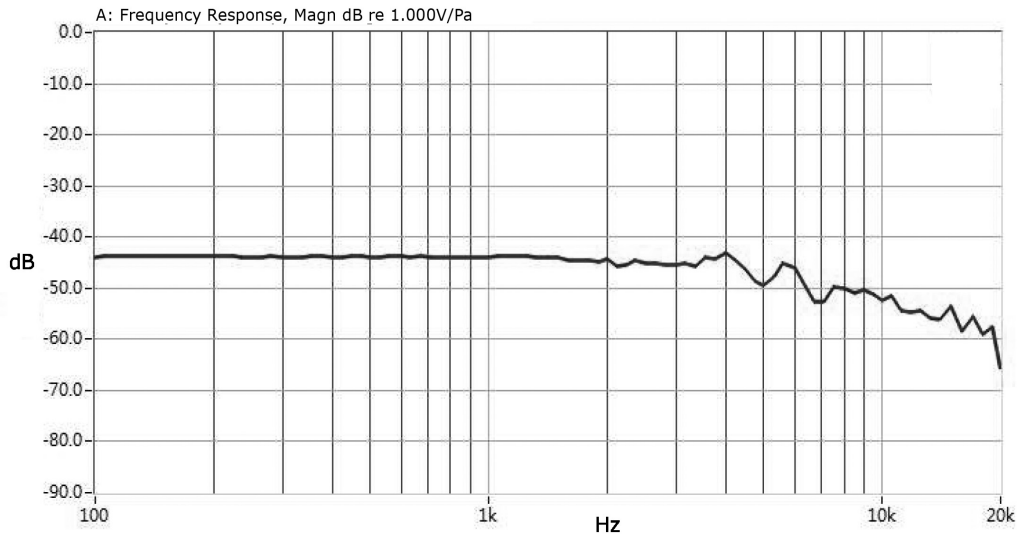
parameter	conditions/description	min	typ	max	units
hand soldering	for maximum 2 seconds	310	320	330	°C

## MECHANICAL DRAWING

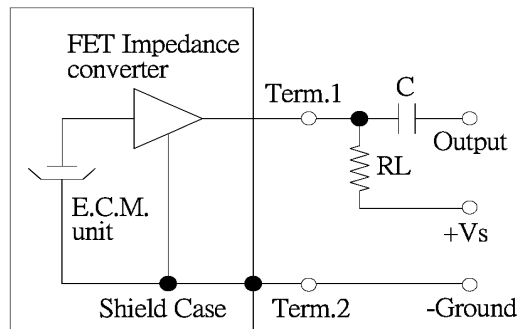
units: mm



## FREQUENCY RESPONSE CURVE



## MEASUREMENT CIRCUIT



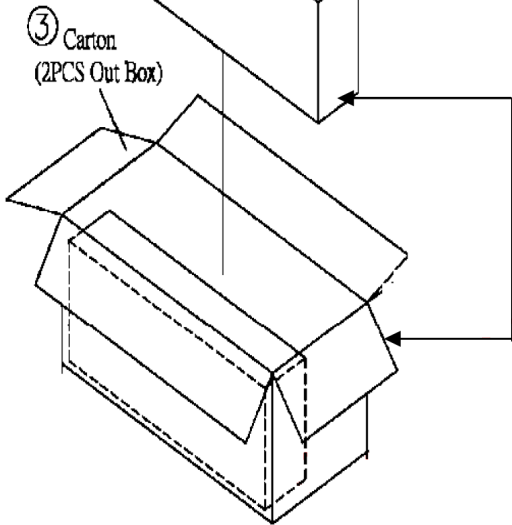
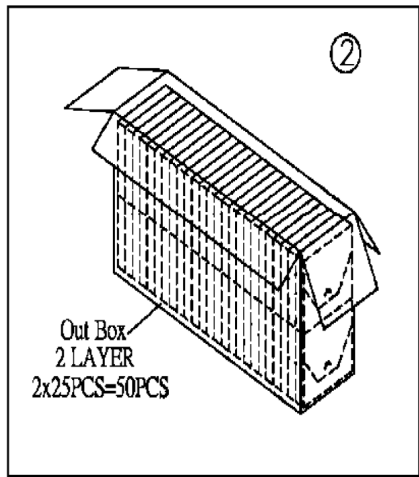
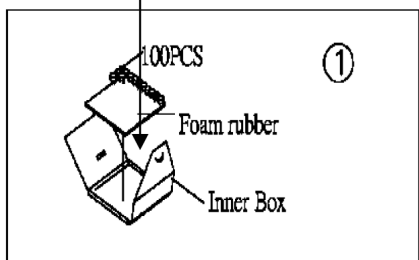
RL = 2.2 kΩ  
C = 1 μF

## PACKAGING

units: mm

Inner Box Size: 100 x 100 x 15 mm  
 Outer Box Size: 385 x 110 x 215 mm  
 Carton Box Size: 400 x 240 x 230 mm  
 Inner Box QTY: 100 pcs per box  
 Outer Box QTY: 5,000 pcs per box  
 Carton Box QTY: 10,000 pcs per box

Made in China



Lot No.	XXXXXXXXXX
Model No.	CUI Inv# XXXXXXXXXXXX CUI Part# XXXXXXXXXXXX
Quantity.	XXXX Pcs
Date:	DD MM YY
MADE IN CHINA	
CUI Inc	



\* The label sticked on inner boxes and the outer of carton.

## REVISION HISTORY

---

rev.	description	date
1.0	initial release	11/03/2016

The revision history provided is for informational purposes only and is believed to be accurate.



**Headquarters**  
20050 SW 112th Ave.  
Tualatin, OR 97062  
**800.275.4899**

Fax 503.612.2383  
**cui.com**  
techsupport@cui.com

CUI offers a one (1) year limited warranty. Complete warranty information is listed on our website.

CUI reserves the right to make changes to the product at any time without notice. Information provided by CUI is believed to be accurate and reliable. However, no responsibility is assumed by CUI for its use, nor for any infringements of patents or other rights of third parties which may result from its use.

CUI products are not authorized or warranted for use as critical components in equipment that requires an extremely high level of reliability. A critical component is any component of a life support device or system whose failure to perform can be reasonably expected to cause the failure of the life support device or system, or to affect its safety or effectiveness.