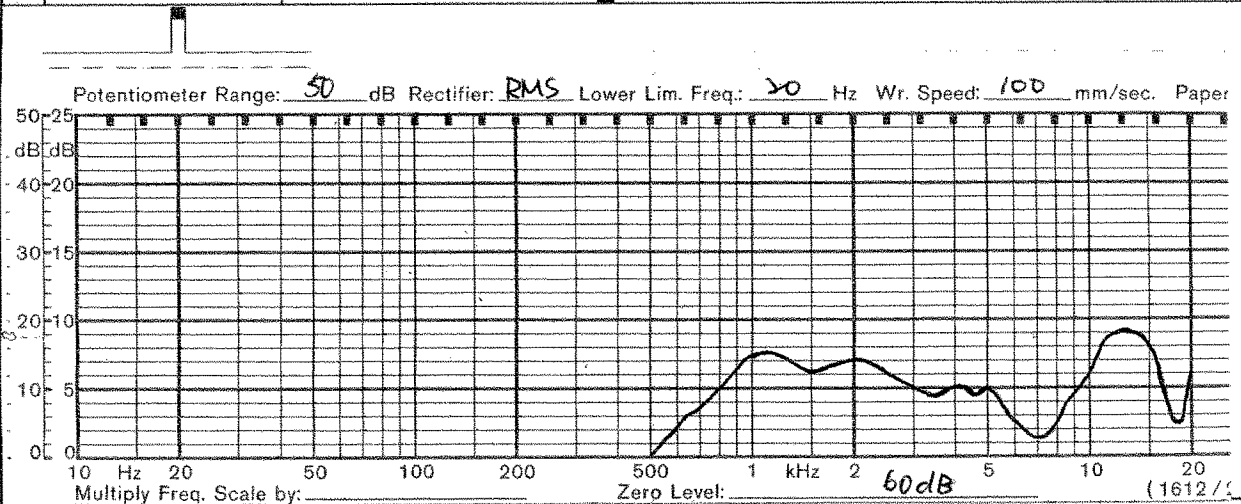




CUI INC

9615 SW Allen, Suite 103
 Beaverton, OR 97005
 Phone: (503) 643-4899
 800-275-4899
 Fax: (503) 372-1266
 Website: www.cui.com

1	NOMINAL SIZE	16x20x6.6H		mm.	inch.
2	IMPEDANCE	8	$\Omega \pm 15\%$	at. 1K Hz.	1 V.
3	RESONANCE FO	1050 Hz \pm 210 Hz.		FO Hz.	1 V.
4	S.P. LEVEL	75 dB/w \pm 3 dB		1 w 50 cm average at	
5	RESPONSE	Fo Hz~ 20K Hz	MAX 10 dB		
6	CROSSOVER FREQ.	Hz	Hz	dB/OCT	Net work
7	INPUT POWER	Nominal input	2 w.	Handling Capacity	2.5 w.
8	OPERATION	Must be normal at program source		2	w.
9	BUZZ, RATTLE, ETC.	Must be normal at Since Wave		4	V.
10	FLUX DENSITY	Gauss $\pm 10\%$			
11	TOTAL FLUX	Max well min			
12	MAGNET	Size	9.6 x 2.2	mm	gr oz
13	TOTAL WEIGHT	gr oz			
14	LOAD TEST	After test meet Item 9 and 10	White noise	2 W.	24 Hours
15	DISTORTION	% MAX		Hz	W.
16	HEAT TEST	After test meet Item 9 and 10	60 \pm 2 $\pm^\circ\text{C}$	20-50 %R. H	24 Hours
17	HUMIDITY TEST	After test meet Item 9 and 10	40 \pm 2 $\pm^\circ\text{C}$	90-95 %R. H	24 Hours

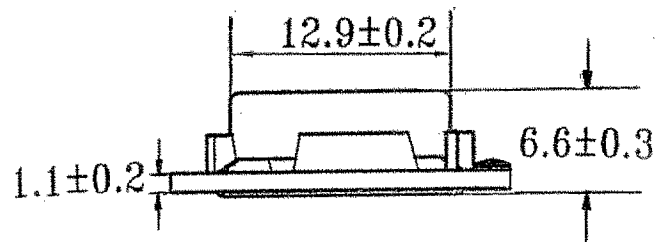
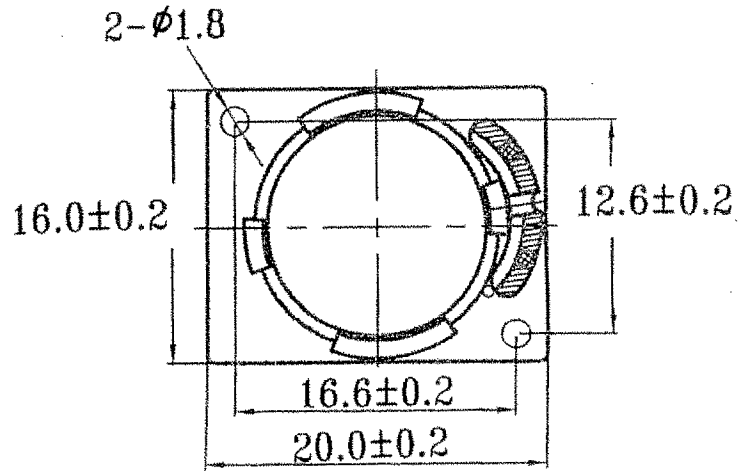


PART NO.	CMS0201KFL-1X	UNITS:	mm
TOLERANCE:	± 1.5	PAGE NO:	1 of 2



CUI INC

9615 SW Allen, Suite 103
Beaverton, OR 97005
Phone: (503) 643-4899
800-275-4899
Fax: (503) 372-1266
Website: www.cui.com



PART NO.	CMS0201KFL-1X	UNITS:	mm
TOLERANCE:	±1.5	PAGE NO:	2 of 2