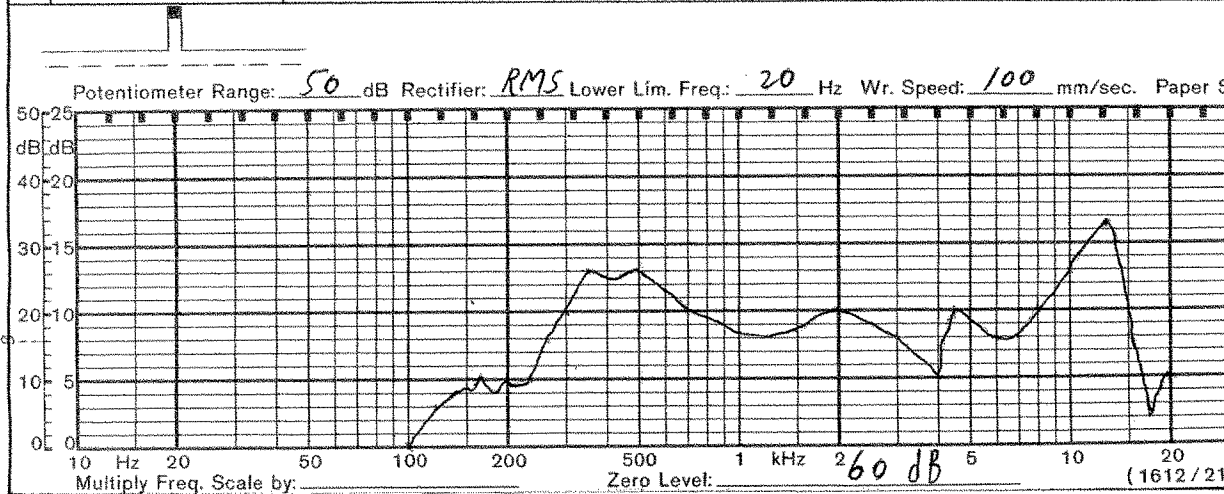




**CUI INC**

9615 SW Allen, Suite 103  
 Beaverton, OR 97005  
 Phone: (503) 643-4899  
 800-275-4899  
 Fax: (503) 372-1266  
 Website: www.cui.com

1	NOMINAL SIZE	23 x 23 x 10.2H mm.		inch.	
2	IMPEDANCE	8 Ω ± 15%		at 1K Hz.	1 V.
3	RESONANCE FO	380 Hz ± 76 Hz.		FO Hz.	1 V.
4	S.P. LEVEL	81 dB/w ± 3 dB		1 w 50 cm average at	
5	RESPONSE	Fo Hz~ 20K Hz	MAX 10 dB	500, 600, 800, 1K Hz.	
6	CROSSOVER FREQ.	Hz	Hz	dB/OCT	Net work
7	INPUT POWER	Nominal input 2 w.	Handling Capacity 4 w.		
8	OPERATION	Must be normal at program source		2 w.	
9	BUZZ, RATTLE, ETC.	Must be normal at Since Wave		4 V.	
10	FLUX DENSITY	Gauss ± 10%			
11	TOTAL FLUX	Max well min			
12	MAGENET	Size 12.5 x 3.0 mm	gr	oz	
13	TOTAL WEIGHT			gr	oz
14	LOAD TEST	After test meet Item 9 and 10	White noise	2 W.	24 Hours
15	DISTORTION	% MAX		Hz	W.
16	HEAT TEST	After test meet Item 9 and 10	65 ± 2 °C	20-50 %R. H	24 Hours
17	HUMIDITY TEST	After test meet Item 9 and 10	40 ± 2 °C	90-95 %R. H	24 Hours

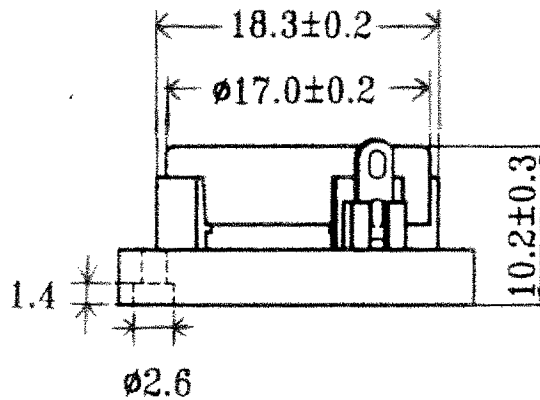
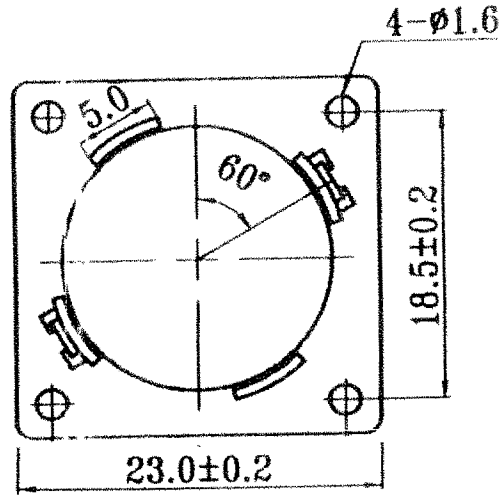


PART NO.	CMS0231KLX	UNITS:	mm
TOLERANCE:	±1.5	PAGE NO:	1 of 2



CUI INC

9615 SW Allen, Suite 103  
Beaverton, OR 97005  
Phone: (503) 643-4899  
800-275-4899  
Fax: (503) 372-1266  
Website: www.cui.com



PART NO.	CMS0231KLX	UNITS:	mm
TOLERANCE:	±1.5	PAGE NO:	2 of 2