

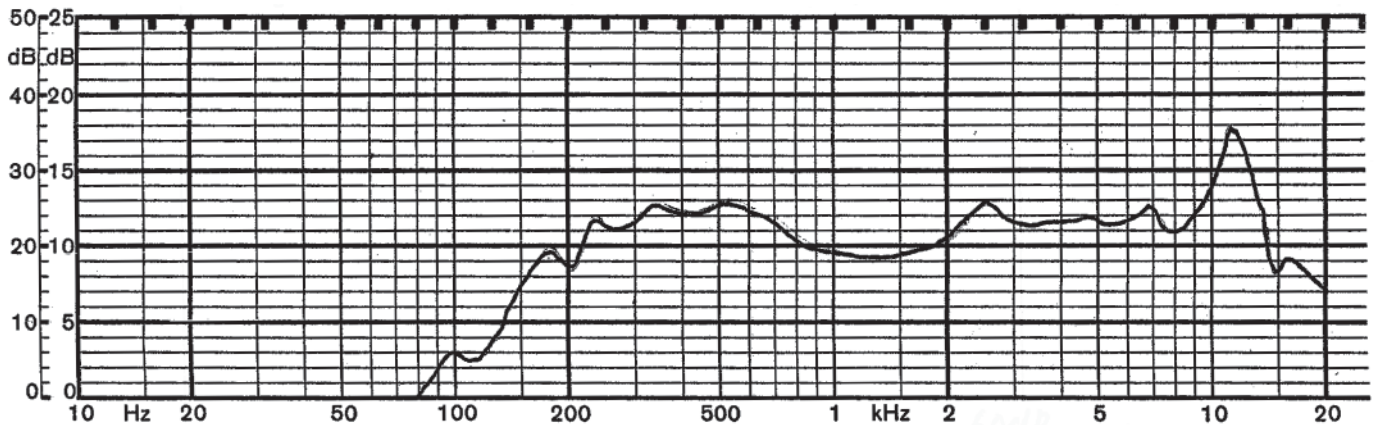

PART NUMBER: CMS0341KLX
DESCRIPTION: SPEAKER

SPECIFICATIONS

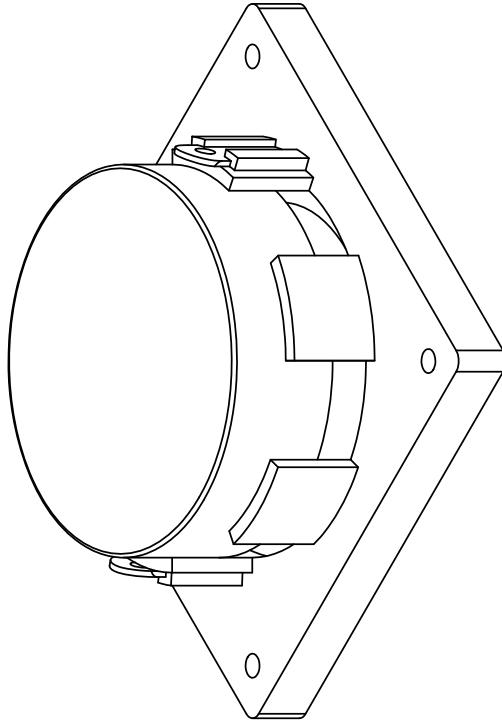
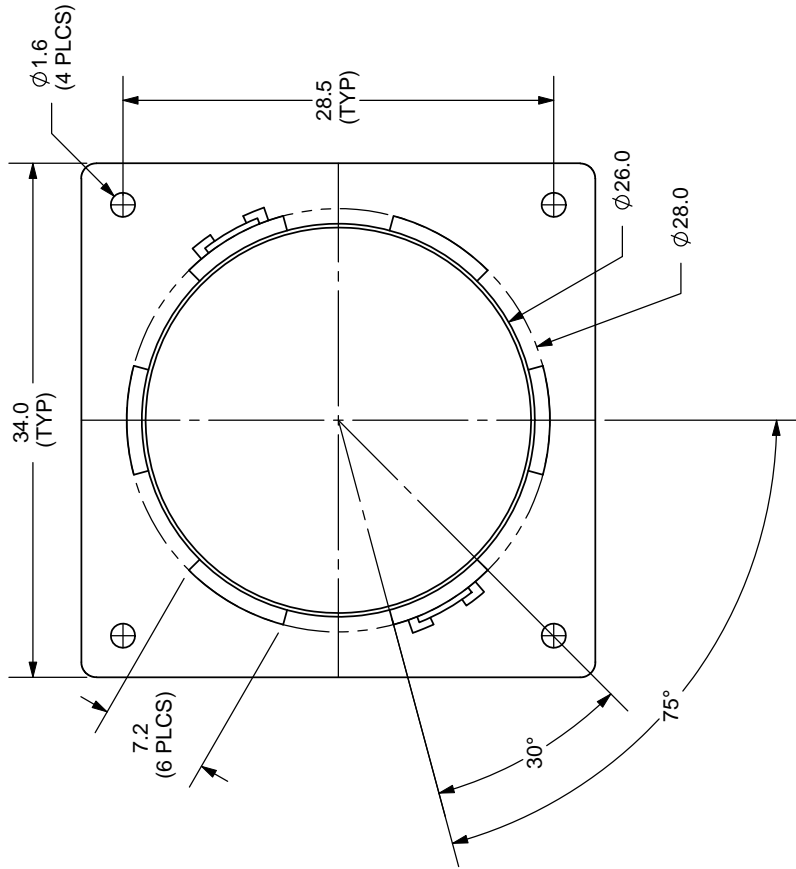
| parameter | conditions/description | min | nom | max | units |
|----------------------|--|-----|-----|--------|--------------|
| nominal size | 34 x 34 x 14.5H mm | | | | |
| impedance | at 1 kHz, 1 V | 6.8 | 8 | 9.2 | Ω |
| resonant frequency | at 1 V | 208 | 260 | 312 | Hz |
| sound pressure level | 1 W, 50 cm ave., at 0.4, 0.5, 0.6, 0.8 kHz | 81 | 84 | 87 | dB |
| response | 10 dB max. | Fo | | 15,000 | Hz |
| input power | | | 2 | 4 | W |
| operation | must be normal at program source | | 2 | | W |
| buzz, rattle, etc. | must be normal at sine wave | | 4 | | V dc |
| magnet | size: 18.7 x 4 mm | | | | |
| load test | 24 hours of white noise at | | 2 | | W |
| heat test | 20 ~ 50% RH for 24 hours | 63 | 65 | 67 | $^{\circ}$ C |
| humidity test | 90 ~ 95% RH for 24 hours | 38 | 40 | 42 | $^{\circ}$ C |
| RoHS | yes | | | | |

FREQUENCY RESPONSE CURVE

| parameter | conditions/description |
|-----------------------|------------------------|
| potentiometer range | 50 dB |
| rectifier | RMS |
| lower limit frequency | 20 Hz |
| wr. speed | 100 mm/sec |
| zero level | 60 dB |



| REV. | DESCRIPTION | DATE |
|------|--|-----------|
| A | NEW DRAWING | 7/25/2007 |
| B | base thickness changed from 3.0mm to 3.8mm | 5/6/2008 |



TOLERANCE:
±0.2mm UNLESS OTHERWISE
SPECIFIED



CUI INC

20050 SW 112th Ave.
Tualatin, OR 97062
Phone: 503-612-2300
800-275-4899
Fax: 503-612-2383
Website: www.cui.com

| | |
|----------------------------------|--------------------|
| TITLE: MINIATURE MONITOR SPEAKER | REV: B |
| PART NO: CMS0341KLX | UNITS: MM [INCHES] |
| DRAWN BY: ZRJ | APPROVED BY: |
| | SCALE: 2:1 |

