

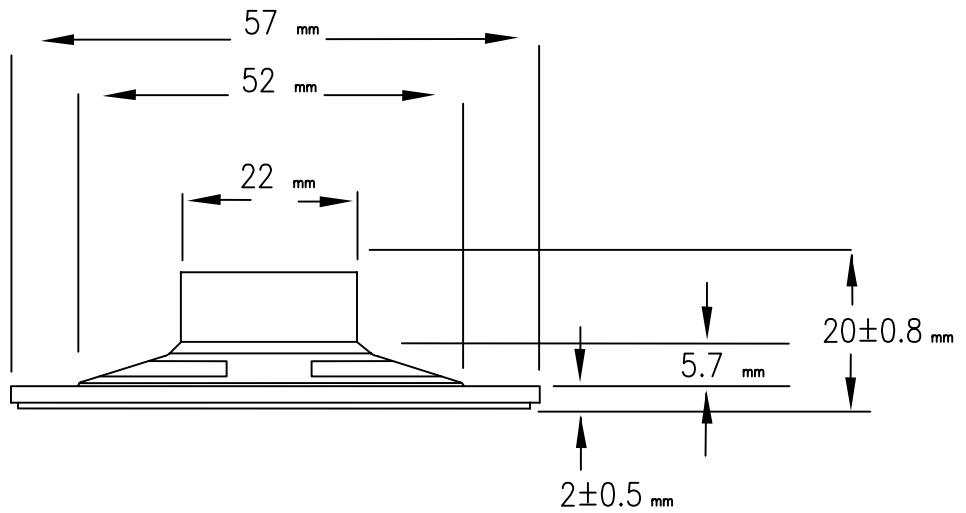
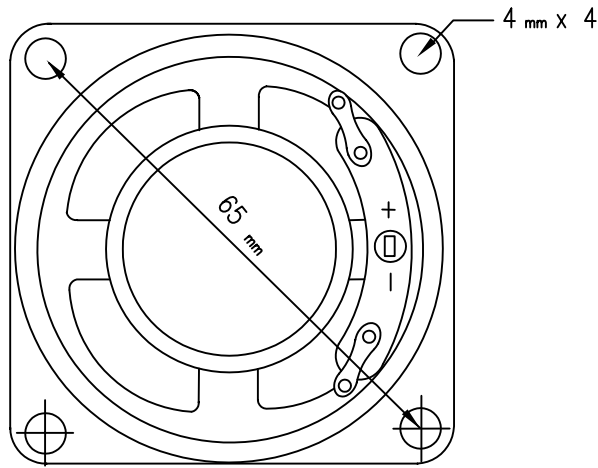
CUI INC

9615 SW Allen, Suite 103
 Beaverton, OR 97005
 Phone: (503) 643-4899
 800-275-4899
 Fax: (503) 372-1266
 Website: www.cui.com

Specifications

1	Part No.	GA0576			
2	Nominal Size	57 mm.	2 1/4"	inch	
3	Impedance	8 Ω ± 15%	at 800 Hz.	1 V.	
4	Resonance	360 Hz. ± 80 Hz.	F0 Hz.	1 V.	
5	S.P. Level	88 dB/w ± 3 dB	1 w. 50 cm. average at		
6	Response	fo Hz ~ 7K Hz.	MAX 10dB	800, 1K, 1.2K, 1.5K Hz.	
7	Crossover Freq.	Hz.	Hz.	dB/OCT	Net work
8	Input Power	Nominal Input 0.25 w.	Handling Capacity	0.5 w.	
9	Operation	Must be normal at program source			0.25 w.
10	Buzz, Rattle, etc.	Must be normal at sine wave			1.41 v.
11	Flux Density	Gauss ± 10%			
12	Total Flux	Max well min			
13	Magnet	Size 13 x 10 mm	9.7 gr	0.35 oz	
14	Total Weight				gr 1.41 oz
15	Load Test	After test meet item 9 and 10	White noise	0.25 W.	5 Hours
16	Distortion	5 % MAX		Hz	0.25 W.
17	Heat Test	After test meet item 9 and 10	40±2 ±°C	20-50 %R.H.	5 Hours
18	Humidity Test	After test meet item 9 and 10	40±2 ±°C	90-95 %R.H.	5 Hours

PART NO.	GA0576	UNITS:	mm
DRAWN BY:		PAGE NO:	1 of 2



9615 SW Allen, Suite 103
 Beaverton, OR 97005
 Phone: (503) 643-4899
 800-275-4899
 Fax: (503) 372-1266
 Website: www.cui.com

TITLE:

PART NO.

GA0576

UNITS:

mm

DRAWN BY:

Page No.

2 of 2