



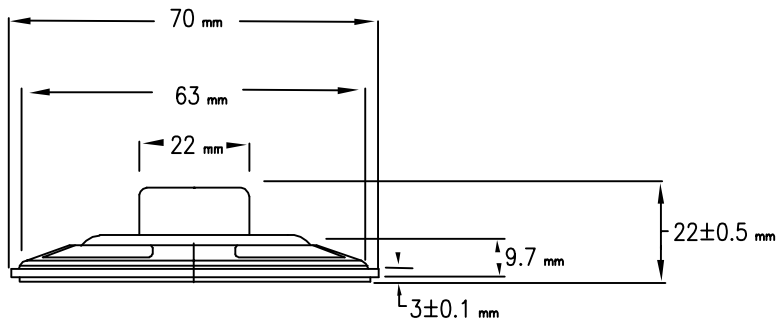
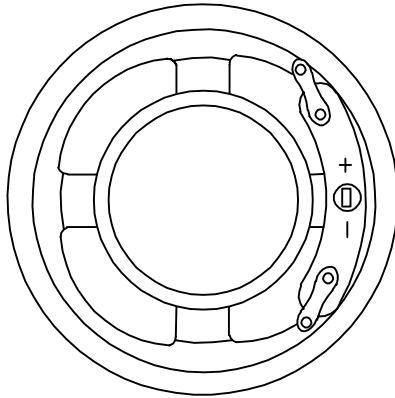
CUI INC

9615 SW Allen, Suite 103
 Beaverton, OR 97005
 Phone: (503) 643-4899
 800-275-4899
 Fax: (503) 372-1266
 Website: www.cui.com

Specifications

1	Part No.	GA0701		
2	Nominal Size	70 mm.	2 3/4"	inch
3	Impedance	8 W ± 15%	at 800 Hz.	1 V.
4	Resonance	320 Hz. ± 64 Hz.	F0 Hz.	1 V.
5	S.P. Level	89 dB/w ± 3 dB	0.5 w. 50 cm. average at	
6	Response	fo Hz. ~ 6.5K Hz. MAX 10dB	600, 800, 1K, 1.2K Hz.	
7	Crossover Freq.	Hz. Hz.	dB/OCT	Net work
8	Input Power	Nominal Input 0.5 w.	Handling Capacity	1 w.
9	Operation	Must be normal at program source 0.5 w.		
10	Buzz, Rattle, etc.	Must be normal at sine wave 2 v.		
11	Flux Density	Gauss ± 10%		
12	Total Flux	Max well min		
13	Magnet	Size 13 x 10 mm	gr	0.35 oz
14	Total Weight	gr oz		
15	Load Test	After test meet item 9 and 10	White noise	0.5 W. 48 Hours
16	Distortion	% MAX Hz W.		
17	Heat Test	After test meet item 9 and 10	70±2 ±°C 20-50 %R.H.	48 Hours
18	Humidity Test	After test meet item 9 and 10	40±2 ±°C 90-95 %R.H.	48 Hours

PART NO.	GA0701	UNITS:	mm
DRAWN BY:		PAGE NO:	1 of 2



9615 SW Allen, Suite 103
Beaverton, OR 97005
Phone: (503) 643-4899
800-275-4899
Fax: (503) 372-1266
Website: www.cui.com

TITLE:

PART NO.	GA0701	UNITS:	mm
----------	--------	--------	----

DRAWN BY:	Page No.	2 of 2
-----------	----------	--------