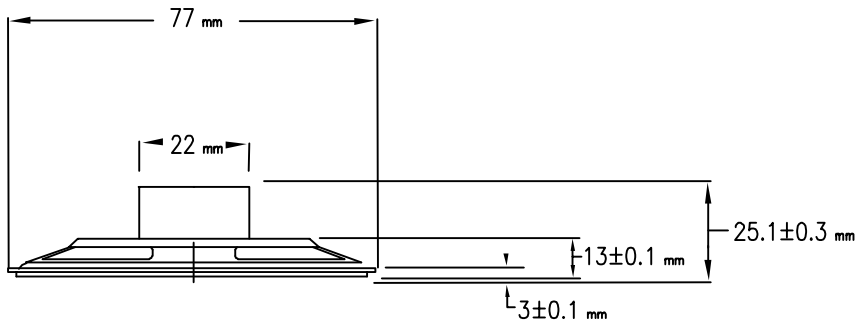
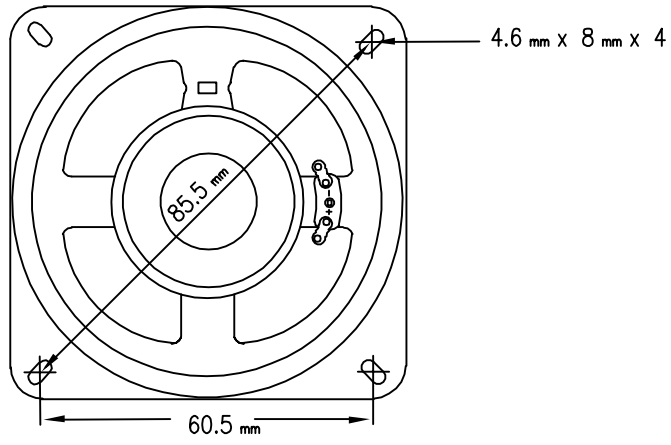


9615 SW Allen, Suite 103  
 Beaverton, OR 97005  
 Phone: (503) 643-4899  
 800-275-4899  
 Fax: (503) 372-1266  
 Website: www.cui.com

# Specifications

1	Part No.	GA0776			
2	Nominal Size	77 mm.	3 "	inch	
3	Impedance	8 $\Omega$ $\pm$ 15%	at 800 Hz.	1 V.	
4	Resonance	190 Hz. $\pm$ 38 Hz.	F0 Hz.	1 V.	
5	S.P. Level	87 dB/w $\pm$ 3 dB	0.5 w.	50 cm.	average at
6	Response	fo Hz. $\sim$ 7K Hz.	MAX 10dB	800, 1K, 1.2K, 1.4K Hz.	
7	Crossover Freq.	Hz.	Hz.	dB/OCT	Net work
8	Input Power	Nominal Input 1 w.	Handling Capacity	2 w.	
9	Operation	Must be normal at program source			1 w.
10	Buzz, Rattle, etc.	Must be normal at sine wave			2.82 v.
11	Flux Density	Gauss $\pm$ 10%			
12	Total Flux	Max well min			
13	Magnet	Size 13 x 10 mm	gr	0.34 oz	
14	Total Weight	gr oz			
15	Load Test	After test meet item 9 and 10	White noise	1 W.	5 Hours
16	Distortion	% MAX		Hz	W.
17	Heat Test	After test meet item 9 and 10	70 $\pm$ 2 $\pm$ °C	20-50 %R.H.	5 Hours
18	Humidity Test	After test meet item 9 and 10	40 $\pm$ 2 $\pm$ °C	90-95 %R.H.	5 Hours

PART NO.	GA0776	UNITS:	mm
DRAWN BY:		Page No:	1 of 2



**9615 SW Allen, Suite 103**  
**Beaverton, OR 97005**  
**Phone: (503) 643-4899**  
**800-275-4899**  
**Fax: (503) 372-1266**  
**Website: www.cui.com**

TITLE:	
PART NO.	UNITS:
GA0776	mm
DRAWN BY:	Page No.
	2 of 2