

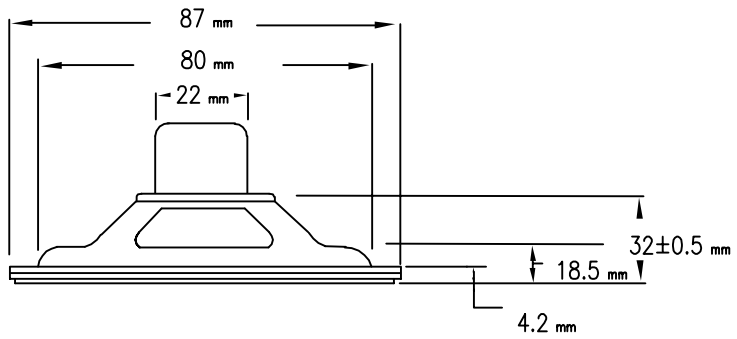
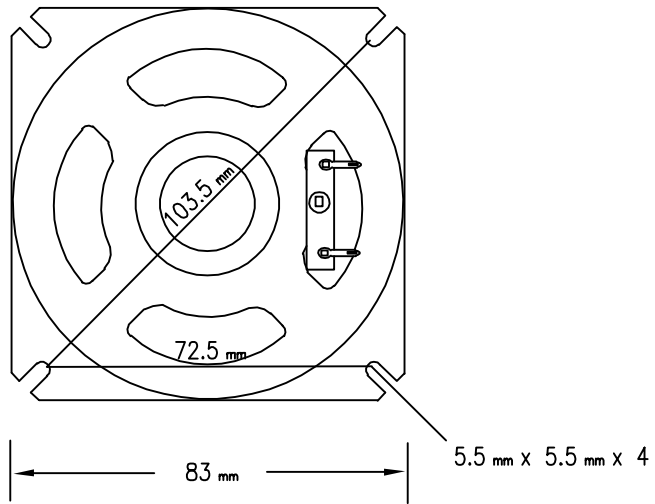


9615 SW Allen, Suite 103  
 Beaverton, OR 97005  
 Phone: (503) 643-4899  
 800-275-4899  
 Fax: (503) 372-1266  
 Website: www.cui.com

# Specifications

1	Part No.	GA0876			
2	Nominal Size	87 mm.	3 1/4"	inch	
3	Impedance	8 $\Omega$ $\pm$ 15%	at	800 Hz.	1 V.
4	Resonance	180 Hz. $\pm$ 36 Hz.	FO Hz.	1 V.	
5	S.P. Level	90 dB/w $\pm$ 3 dB	1 w. 50 cm. average at		
6	Response	fo Hz. $\sim$ 13K Hz. MAX 10dB	500, 700, 900, 1K Hz.		
7	Crossover Freq.	Hz.	Hz.	dB/OCT	Net work
8	Input Power	Nominal Input	1 w.	Handling Capacity	2 w.
9	Operation	Must be normal at program source			1 w.
10	Buzz, Rattle, etc.	Must be normal at sine wave			2.83 v.
11	Flux Density	Gauss $\pm$ 10%			
12	Total Flux	Max well min			
13	Magnet	Size	13 x 10 mm	gr	0.34 oz
14	Total Weight			59 gr	2.07 oz
15	Load Test	After test meet item 9 and 10	White noise	2 W.	5 Hours
16	Distortion	% MAX		Hz	W.
17	Heat Test	After test meet item 9 and 10	70 $\pm$ 2 $\pm$ °C	20-50 %R.H.	5 Hours
18	Humidity Test	After test meet item 9 and 10	40 $\pm$ 2 $\pm$ °C	90-95 %R.H.	5 Hours

PART NO.	GA0876	UNITS:	mm
DRAWN BY:		PAGE NO:	1 of 2



9615 SW Allen, Suite 103  
 Beaverton, OR 97005  
 Phone: (503) 643-4899  
 800-275-4899  
 Fax: (503) 372-1266  
 Website: www.cui.com

PART NO.	GA0876	UNITS:	mm
DRAWN BY:		APPROVED BY:	