



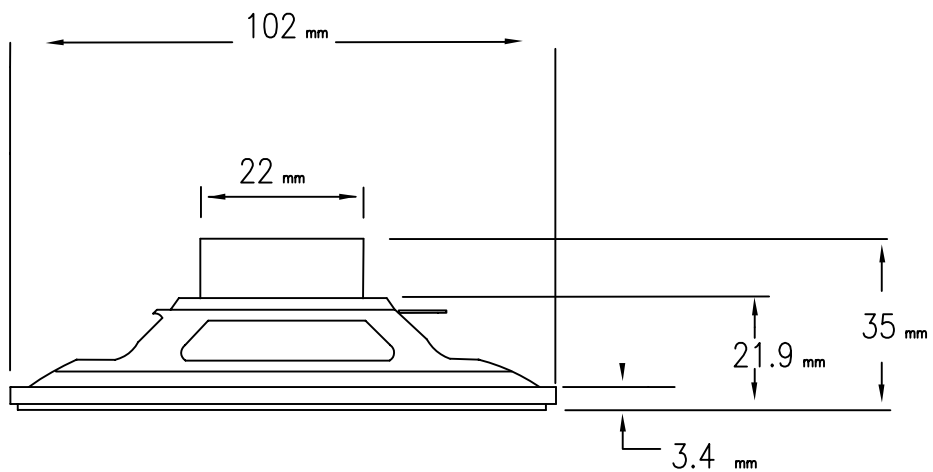
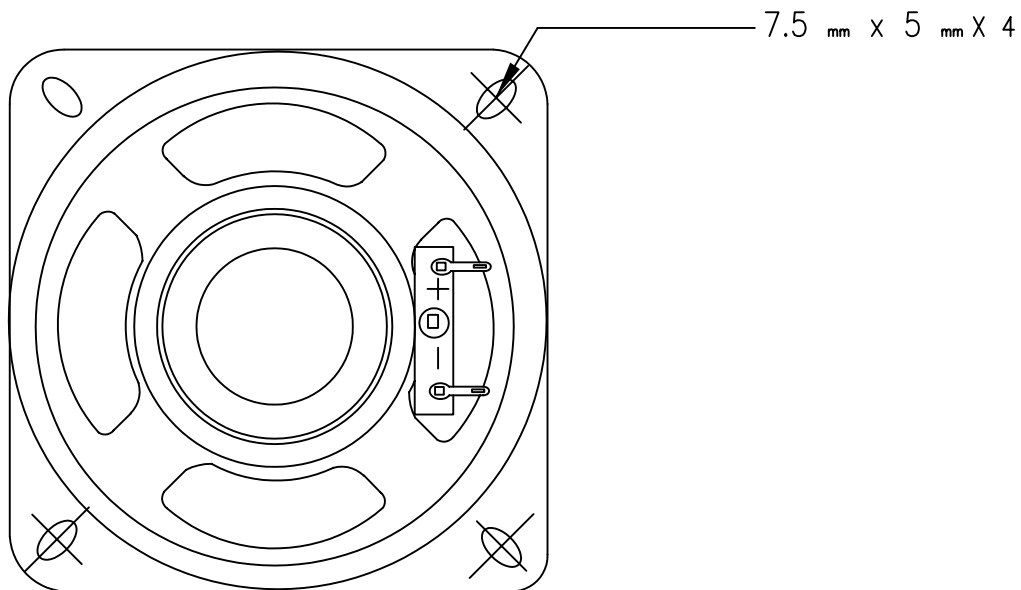
**CUI INC**

9615 SW Allen, Suite 103  
 Beaverton, OR 97005  
 Phone: (503) 643-4899  
 800-275-4899  
 Fax: (503) 372-1266  
 Website: www.cui.com

# Specifications

1	Part No.	GA1006			
2	Nominal Size	100 mm.	4"	inch	
3	Impedance	8 $\Omega$ $\pm$ 15%	at	800 Hz.	1 V.
4	Resonance	230 Hz. $\pm$ 46 Hz.		F0 Hz.	1 V.
5	S.P. Level	92 dB/w $\pm$ 3 dB	1 w. 50 cm. average at		
6	Response	fo Hz. $\sim$ 22K Hz.	MAX 10dB	500, 700, 900, 1K Hz.	
7	Crossover Freq.	Hz.	Hz.	dB/OCT	Net work
8	Input Power	Nominal Input	2 w.	Handling Capacity	4 w.
9	Operation	Must be normal at program source 2 w.			
10	Buzz, Rattle, etc.	Must be normal at sine wave 4 v.			
11	Flux Density	Gauss $\pm$ 10%			
12	Total Flux	Max well min			
13	Magnet	Size	13 x 12 mm	gr	oz
14	Total Weight	gr oz			
15	Load Test	After test meet item 9 and 10	White noise	2 W.	5 Hours
16	Distortion	% MAX Hz W.			
17	Heat Test	After test meet item 9 and 10	70 $\pm$ 2 $\pm$ °C	20-50 %R.H.	5 Hours
18	Humidity Test	After test meet item 9 and 10	40 $\pm$ 2 $\pm$ °C	90-95 %R.H.	5 Hours

PART NO.	GA1006	UNITS:	mm
DRAWN BY:		PAGE NO:	1 of 2



**CUI INC**

9615 SW Allen, Suite 103  
 Beaverton, OR 97005  
 Phone: (503) 643-4899  
 800-275-4899  
 Fax: (503) 372-1266  
 Website: www.cui.com

TITLE:

PART NO.

GA1006

UNITS:

mm

DRAWN BY:

APPROVED BY: