

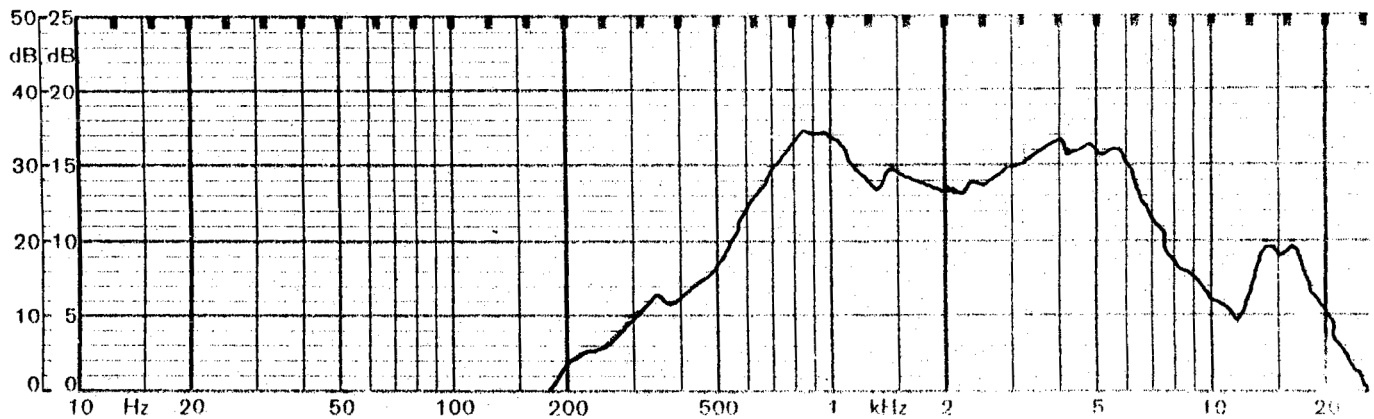


Specifications

Nominal Size	20 mm		
Impedance	8 Ohm \pm 15%	at	1.5 KHz 1 V
Resonant frequency	850 Hz \pm 170 Hz	at	1 V
Sound pressure level	81 dB/w \pm 3 dB	0.4 w 50 cm ave. at 0.8K, 1K, 1.2K, 1.5K Hz	
Response	Fo Hz ~ 7 KHz max 10 dB		
Input power	Nominal 0.4 W	Handling capacity	0.8 W
Operation	must be normal at program source 0.4 W		
Buzz, rattle, etc.	must be normal at sine wave 1.8 V		
Magnet	Size: 8.0 x 1.0 mm		
Load test	White noise 0.4 W	for	5 hours
Heat test	65 \pm 2° C	20-50% R.H.	5 hours
Humidity test	50 \pm 2° C	90-95% R.H.	5 hours

Frequency Response Curve

Potentiometer range	50 dB
Rectifier	RMS
Lower limit frequency	20 Hz
Wr. speed	100 mm/sec



Zero level 50 dB

Initial Here: _____



CUI INC

Part No: GC0201MAP-1

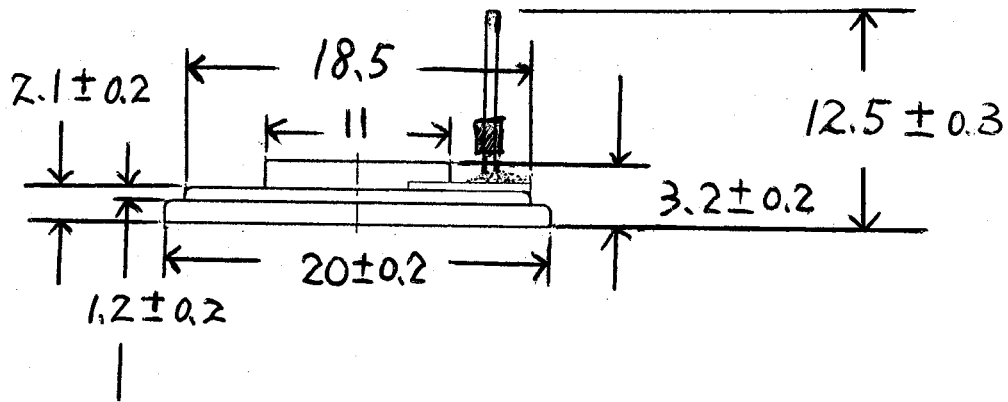
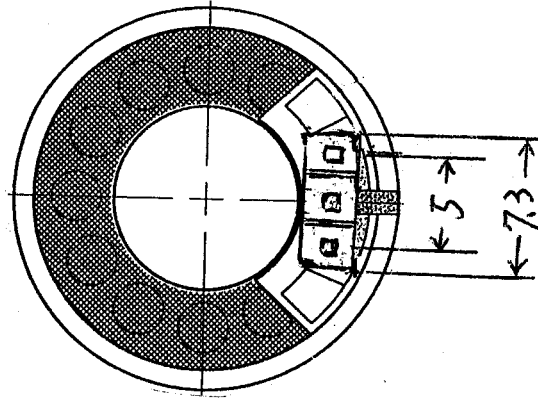
Description: speaker

Date: 5/21/2007

Unit: mm

Page No: 2 of 2

Mechanical Drawing



Initial Here: _____

