

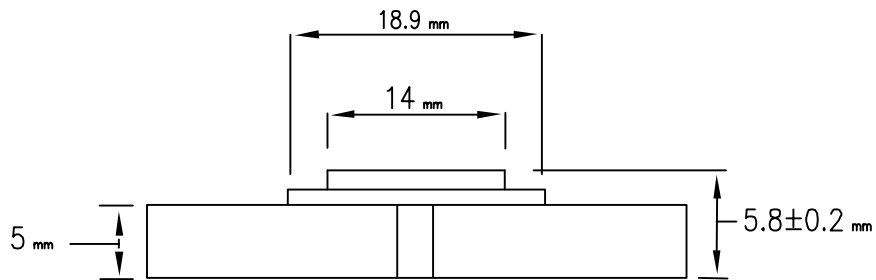
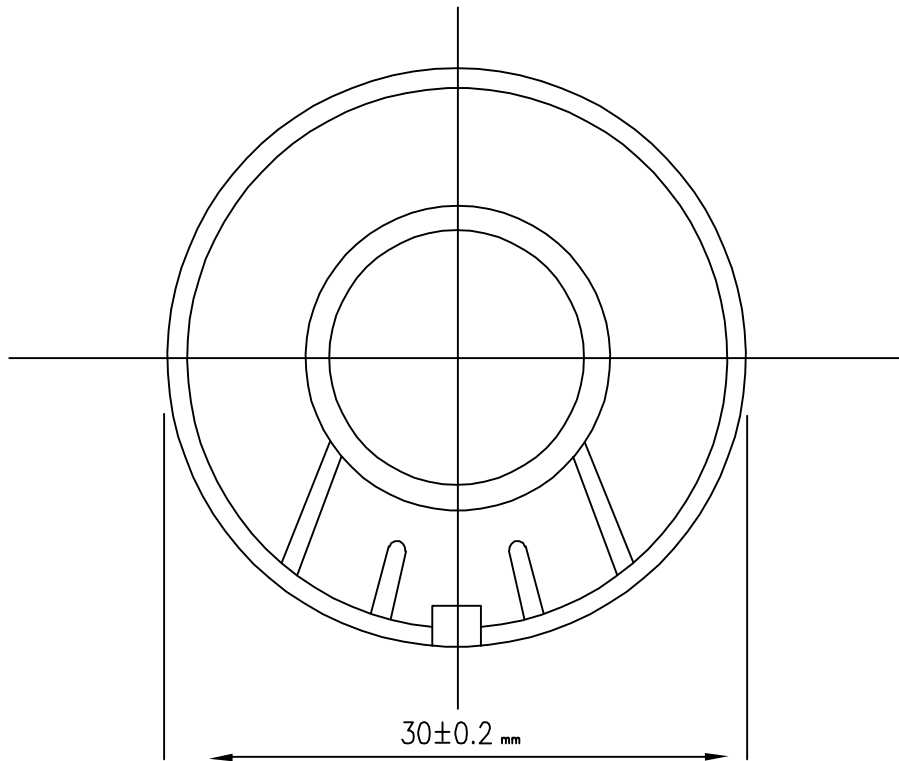
CUI INC

9615 SW Allen, Suite 103
 Beaverton, OR 97005
 Phone: (503) 643-4899
 800-275-4899
 Fax: (503) 372-1266
 Website: www.cui.com

Specifications

| | | | | | |
|----|--------------------|----------------------------------|---------------------------|-------------------------|----------|
| 1 | Part No. | GC0302M | | | |
| 2 | Nominal Size | 30 mm. | inch | | |
| 3 | Impedance | 32 Ω ± 15% | at | 1K Hz. | 1 V. |
| 4 | Resonance | 220 Hz.± 44 Hz. | FO Hz. | 1 V. | |
| 5 | S.P. Level | 120 dB/w± 3 dB | 0.001 w. 1 cm. average at | | |
| 6 | Response | fo Hz.~ 3K Hz. | MAX 10dB | 800, 1K, 1.2K, 1.5K Hz. | |
| 7 | Crossover Freq. | Hz. | Hz. | dB/OCT | Net work |
| 8 | Input Power | Nominal Input | 0.03 w. | Handling Capacity | 0.15 w. |
| 9 | Operation | Must be normal at program source | | | 0.03 w. |
| 10 | Buzz, Rattle, etc. | Must be normal at sine wave | | | 0.98 v. |
| 11 | Flux Density | Gauss ± 10% | | | |
| 12 | Total Flux | Max well min | | | |
| 13 | Magnet | Size | 12.5 x 1.5 mm | gr | oz |
| 14 | Total Weight | | | | gr oz |
| 15 | Load Test | After test meet item 9 and 10 | White noise | 0.03 W. | 5 Hours |
| 16 | Distortion | % MAX | | Hz | W. |
| 17 | Heat Test | After test meet item 9 and 10 | 65±2 ±°C | 20-50 %R.H. | 5 Hours |
| 18 | Humidity Test | After test meet item 9 and 10 | 40±2 ±°C | 90-95 %R.H. | 5 Hours |

| | | | |
|-----------|---------|----------|--------|
| PART NO. | GC0302M | UNITS: | mm |
| DRAWN BY: | | PAGE NO: | 1 of 2 |



CUI INC

9615 SW Allen, Suite 103
 Beaverton, OR 97005
 Phone: (503) 643-4899
 800-275-4899
 Fax: (503) 372-1266
 Website: www.cui.com

TITLE:

PART NO.

GC0302M

UNITS:

mm

DRAWN BY:

Page No.

2 of 2