

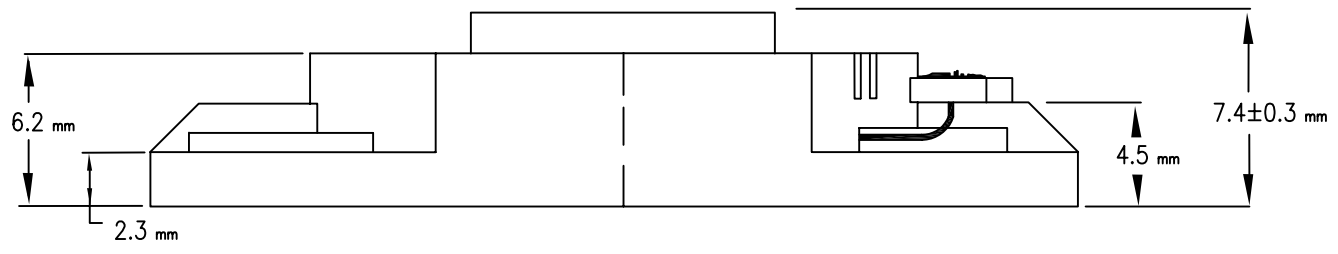
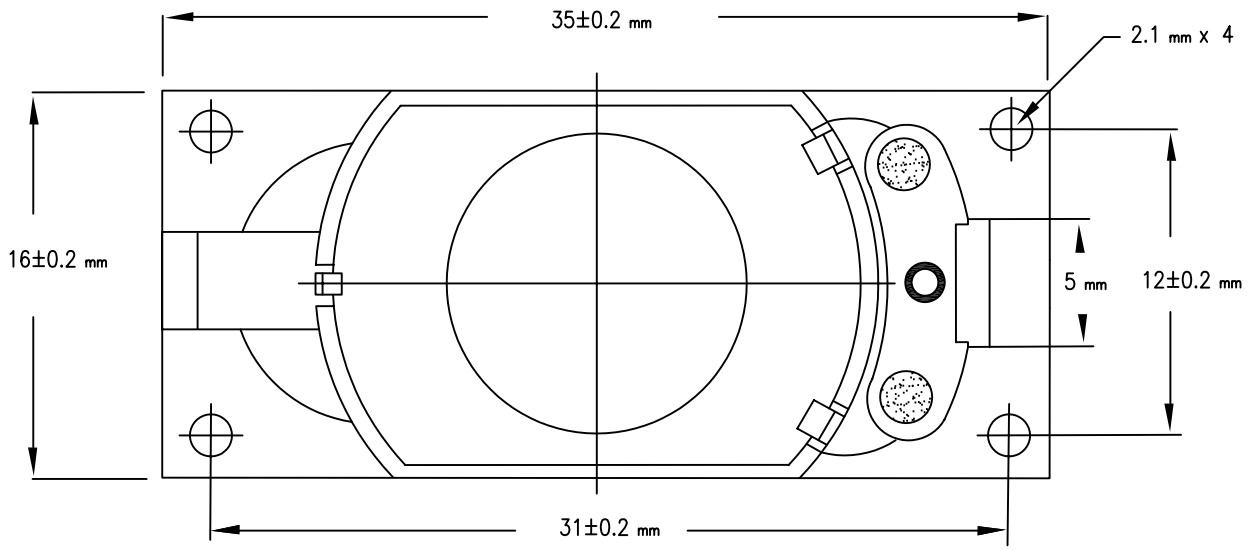


9615 SW Allen, Suite 103
 Beaverton, OR 97005
 Phone: (503) 643-4899
 800-275-4899
 Fax: (503) 372-1266
 Website: www.cui.com

Specifications

1	Part No.	GC0351P-3			
2	Nominal Size	16 x 35 mm.	inch		
3	Impedance	4 Ω \pm 15%	at	1.2K Hz.	2 V.
4	Resonance	630 Hz. \pm 126 Hz.	FO Hz.	2 V.	
5	S.P. Level	82 dB \pm 3 dB	1 w. 50 cm. average at		
6	Response	fo Hz. \sim 13K Hz. MAX 10dB	600, 800, 1K, 1.2K Hz.		
7	Crossover Freq.	Hz.	Hz.	dB/OCT	Net work
8	Input Power	Nominal Input	1 w.	Handling Capacity	2 w.
9	Operation	Must be normal at program source			1 w.
10	Buzz, Rattle, etc.	Must be normal at sine wave			2 v.
11	Flux Density	Gauss \pm 10%			
12	Total Flux	Max well min			
13	Magnet	Size	8.1 x 1.4 mm	gr	oz
14	Total Weight	gr oz			
15	Load Test	After test meet item 9 and 10	White noise	1 W.	24 Hours
16	Distortion	% MAX Hz W.			
17	Heat Test	After test meet item 9 and 10	65 \pm 2 \pm $^{\circ}$ C	20-50 %R.H.	24 Hours
18	Humidity Test	After test meet item 9 and 10	40 \pm 2 \pm $^{\circ}$ C	90-95 %R.H.	24 Hours

PART NO.	GC0351P-3	UNITS:	mm
DRAWN BY:		PAGE NO:	1 of 2



9615 SW Allen, Suite 103
 Beaverton, OR 97005
 Phone: (503) 643-4899
 800-275-4899
 Fax: (503) 372-1266
 Website: www.cui.com

TITLE:	
PART NO.	GC0351P-3
UNITS:	mm
DRAWN BY:	Page No.
	2 of 2