

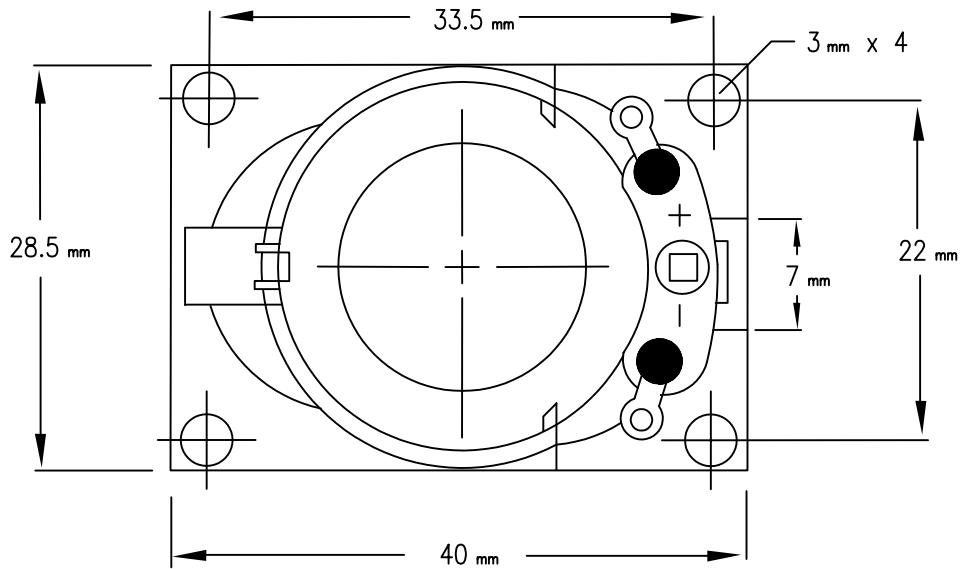


9615 SW Allen, Suite 103  
 Beaverton, OR 97005  
 Phone: (503) 643-4899  
 800-275-4899  
 Fax: (503) 372-1266  
 Website: www.cui.com

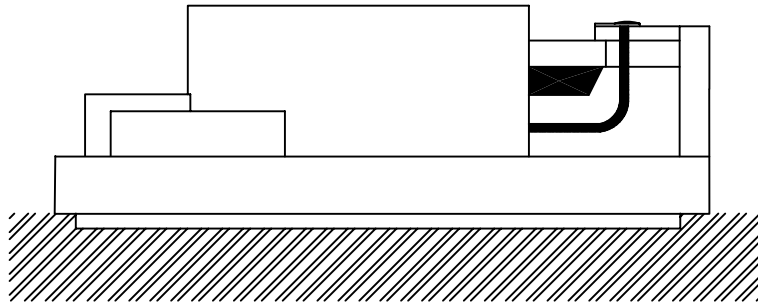
# Specifications

1	Part No.	GC0401K			
2	Nominal Size	28.5 x 40 mm.		inch	
3	Impedance	8 $\Omega$ $\pm$ 15%	at	1.5K Hz.	2.83 V.
4	Resonance	390 Hz. $\pm$	78 Hz.	F0 Hz.	1 V.
5	S.P. Level	82 dB $\pm$	3 dB	1 w. 50 cm. average at	
6	Response	fo Hz. $\sim$ 20K Hz.	MAX 10dB	0.6K, 0.8K, 1K, 1.2K Hz.	
7	Crossover Freq.	Hz.	Hz.	dB/OCT	Net work
8	Input Power	Nominal Input	1 w.	Handling Capacity	2 w.
9	Operation	Must be normal at program source			1 w.
10	Buzz, Rattle, etc.	Must be normal at sine wave			2.83 v.
11	Flux Density	Gauss $\pm$ 10%			
12	Total Flux	Max well min			
13	Magnet	Size	12.5 x 1.8 mm	gr	oz
14	Total Weight	gr oz			
15	Load Test	After test meet item 9 and 10	White noise	1 W.	24 Hours
16	Distortion	% MAX		Hz	W.
17	Heat Test	After test meet item 9 and 10	65 $\pm$ 2 $\pm$ $^{\circ}$ C	20-50 %R.H.	24 Hours
18	Humidity Test	After test meet item 9 and 10	40 $\pm$ 2 $\pm$ $^{\circ}$ C	90-95 %R.H.	24 Hours

PART NO.	GC0401K	UNITS:	mm
DRAWN BY:		PAGE NO:	1 of 2



MOUNTING NOTICE



AT LEAST 0.8 M/M GAP FOR CONEPAPER OPERATING



9615 SW Allen, Suite 103  
 Beaverton, OR 97005  
 Phone: (503) 643-4899  
 800-275-4899  
 Fax: (503) 372-1266  
 Website: www.cui.com

TITLE:

PART NO.

GC0401K

UNITS:

mm

DRAWN BY:

Page No.

2 of 2