

**PART NUMBER:** GC0402MA

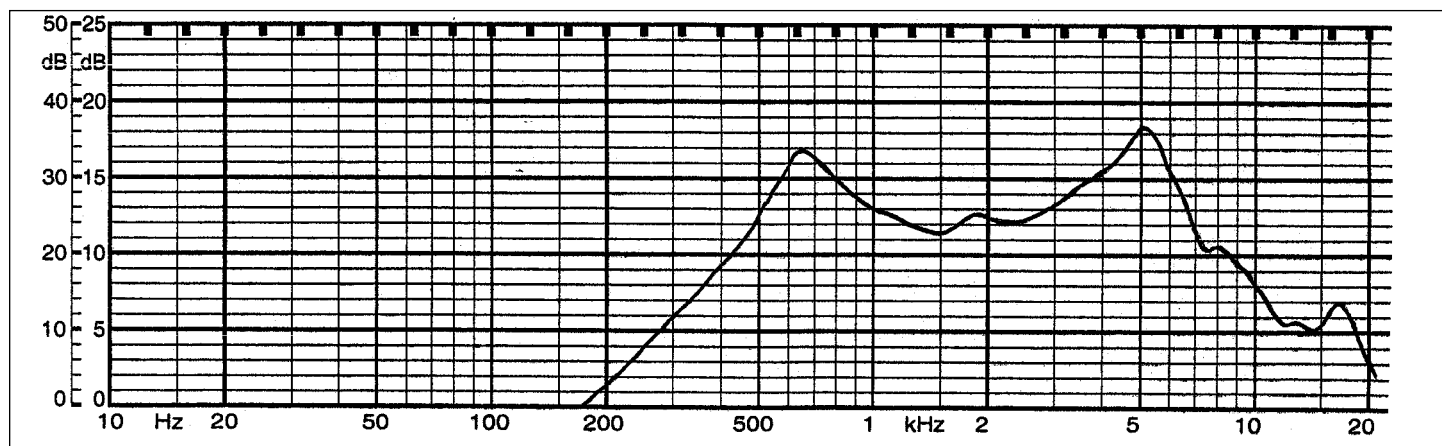
**DESCRIPTION:** speaker

**SPECIFICATIONS**

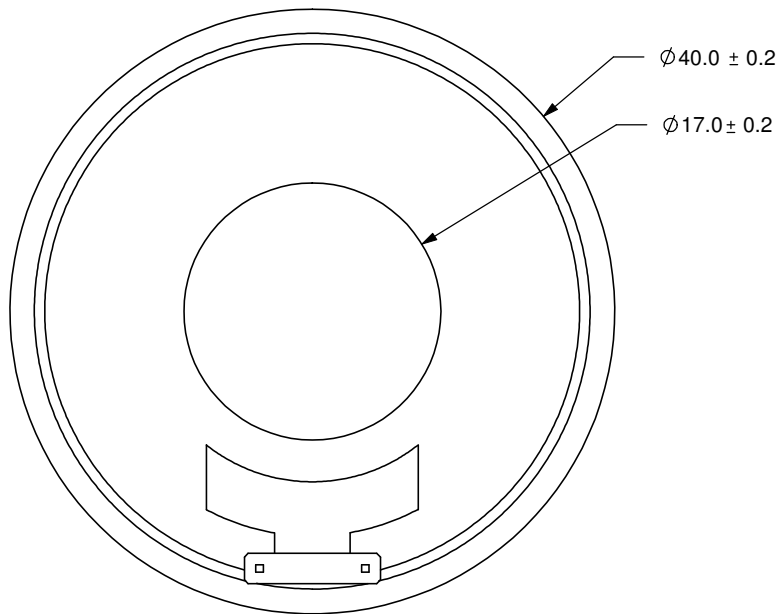
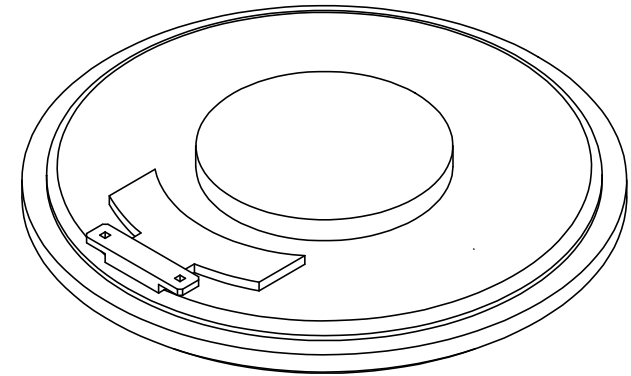
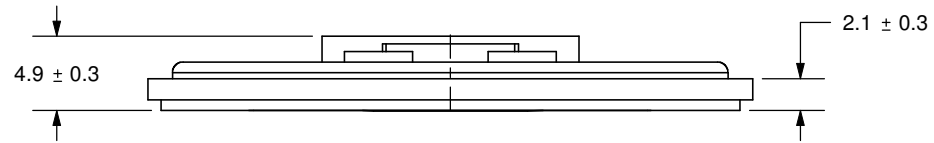
nominal size	40 mm		
impedance	8 Ohm $\pm$ 15%	at	1 KHz 1 V
resonant frequency	580 Hz $\pm$ 116 Hz	at	1 V
sound pressure level	96 dB/w $\pm$ 3 dB	1 w 50 cm ave. at 0.8K, 1K, 1.2K, 1.5K Hz	
response	Fo Hz ~ 20 KHz max 10 dB		
input power	nominal 0.5 W	handling capacity	1 W
operation	must be normal at program source 0.5 W		
buzz, rattle, etc.	must be normal at sine wave 2 V		
magnet	size: 12.5 x 1.5 mm		
load test	white noise	0.5 W for	24 hours
heat test	60 $\pm$ 2° C	20-50% R.H.	24 hours
humidity test	40 $\pm$ 2° C	90-95% R.H.	24 hours

**FREQUENCY RESPONSE CURVE**

potentiometer range	50 dB
rectifier	RMS
lower limit frequency	20 Hz
wr. speed	100 mm/sec


 zero level 70 dB

REV.	DESCRIPTION	DATE
A	NEW DRAWING	7/10/2008



**CUI INC**

20050 SW 112th Ave.  
 Tualatin, OR 97062  
 Phone: 503-612-2300  
 800-275-4899  
 Fax: 503-612-2383  
 Website: www.cui.com

TITLE: LOW PROFILE NOTEBOOK SPEAKER		REV: A
PART NO. GC0402MA	UNITS: MM [INCHES]	
DRAWN BY: JMS	APPROVED BY:	SCALE: 2:1

PC FILE NAME:  
GC0402MA

COPYRIGHT 2008 BY CUI INC.