

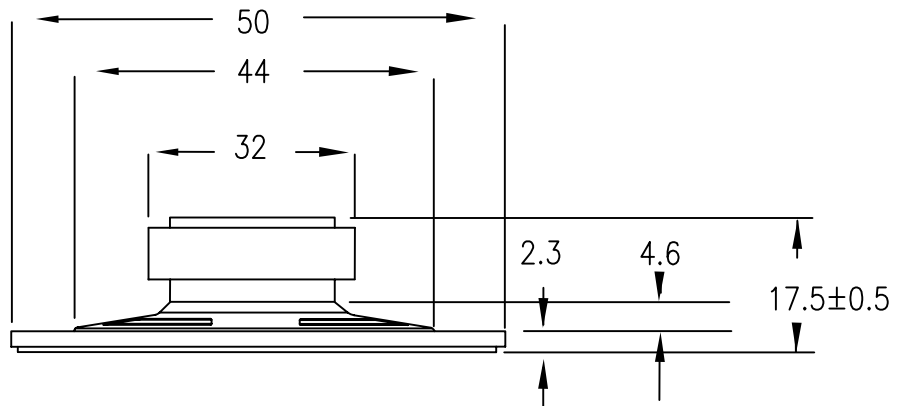
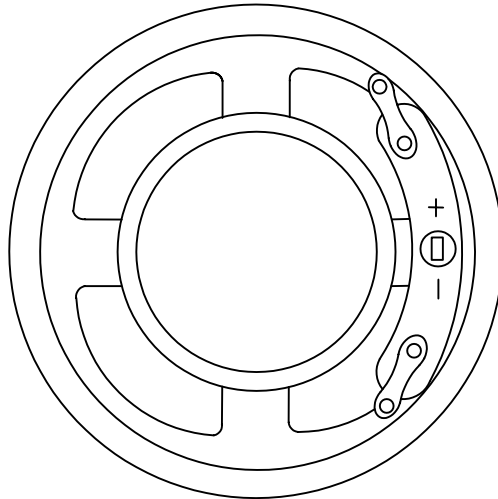


9615 SW Allen, Suite 103
 Beaverton, OR 97005
 Phone: (503) 643-4899
 800-275-4899
 Fax: (503) 372-1266
 Website: www.cui.com

Specifications

1	Part No.	GF0501			
2	Nominal Size	50 mm.	2" inch		
3	Impedance	8 Ω \pm 15%	at 800 Hz.	1 V.	
4	Resonance	450 Hz. \pm 90 Hz.	F0 Hz.	1 V.	
5	S.P. Level	87 dB/W	3 dB	.25 w.	50 cm. average at
6	Response	fo Hz.	5.9K Hz.	10dB	1K, 1.4K, 1.7K, 2K Hz.
7	Crossover Freq.	Hz.	Hz.	dB/OCT	Net work
8	Input Power	Nominal Input	0.25 w.	Handling Capacity	0.5 w.
9	Operation	Must be normal at program source			0.25 w.
10	Buzz, Rattle, etc.	Must be normal at sine wave			1.41 v.
11	Flux Density	Gauss \pm 10%			
12	Total Flux	Max well min			
13	Magnet	Size 32 x 18 x 6 mm	gr	oz	
14	Total Weight				gr oz
15	Load Test	After test meet item 9 and 10	White noise	0.25 W.	24 Hours
16	Distortion	% MAX		Hz	W.
17	Heat Test	After test meet item 9 and 10	70 \pm 2 \pm °C	20-50 %R.H.	24 Hours
18	Humidity Test	After test meet item 9 and 10	40 \pm 2 \pm °C	90-95 %R.H.	24 Hours

PART NO.	GF0501	UNITS:	mm
DRAWN BY:	MMM	Page No:	1 of 2



CUI INC

9615 SW Allen, Suite 103
 Beaverton, OR 97005
 Phone: (503) 643-4899
 800-275-4899
 Fax: (503) 372-1266
 Website: www.cui.com

TITLE:

PART NO.

GF0501

UNITS:

mm

DRAWN BY:

Page No.

2 of 2