

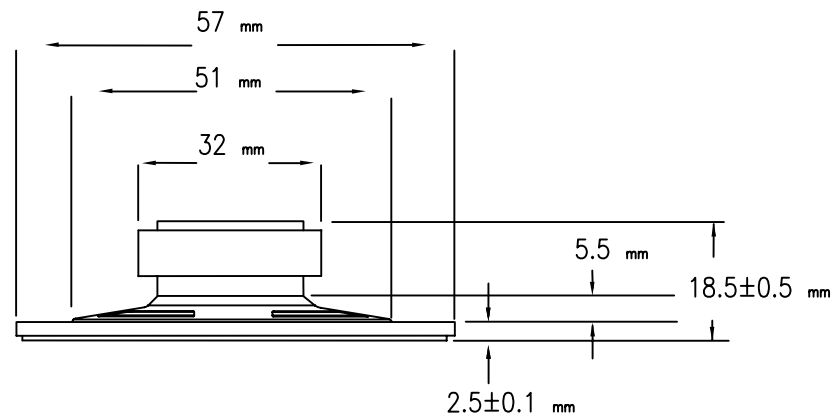
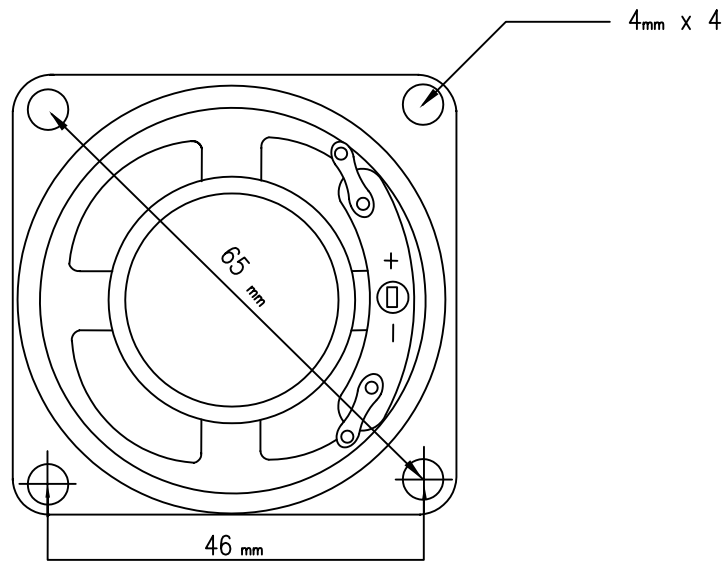


9615 SW Allen, Suite 103  
 Beaverton, OR 97005  
 Phone: (503) 643-4899  
 800-275-4899  
 Fax: (503) 372-1266  
 Website: www.cui.com

# Specifications

1	Part No.	GF0576			
2	Nominal Size	57 mm.	2 - 1/4 inch		
3	Impedance	8Ω	15%	at	800 Hz. 1 V.
4	Resonance	380 Hz.±	76 Hz.	FO Hz.	1 V.
5	S.P. Level	86 dB±	3 dB	0.25 w. 50 cm. average at	
6	Response	fo Hz.~	8.1K Hz.	MAX 10dB	1K, 1.4K, 1.7K, 2K Hz.
7	Crossover Freq.	Hz.	Hz.	dB/OCT	Net work
8	Input Power	Nominal Input	0.25 w.	Handling Capacity	0.5 w.
9	Operation	Must be normal at program source			0.25 w.
10	Buzz, Rattle, etc.	Must be normal at sine wave			1.41 v.
11	Flux Density	Gauss ± 10%			
12	Total Flux	Max well min			
13	Magnet	Size	32 x 18 x 6 mm	gr	oz
14	Total Weight				gr oz
15	Load Test	After test meet item 9 and 10	White noise	0.25 W.	5 Hours
16	Distortion	% MAX		Hz	W.
17	Heat Test	After test meet item 9 and 10	70±2 ±°C	20-50 %R.H.	5 Hours
18	Humidity Test	After test meet item 9 and 10	40±2 ±°C	90-95 %R.H.	5 Hours

PART NO.	GF0576	UNITS:	mm
DRAWN BY:		PAGE NO:	1 of 2



9615 SW Allen, Suite 103  
 Beaverton, OR 97005  
 Phone: (503) 643-4899  
 800-275-4899  
 Fax: (503) 372-1266  
 Website: www.cui.com

TITLE:

PART NO.

GF0576

UNITS:

mm

DRAWN BY:

Page No.

2 of 2