



Part No: GF0776M

Date: 9/20/2006

Unit: mm

Description: speaker

Page No: 1 of 2

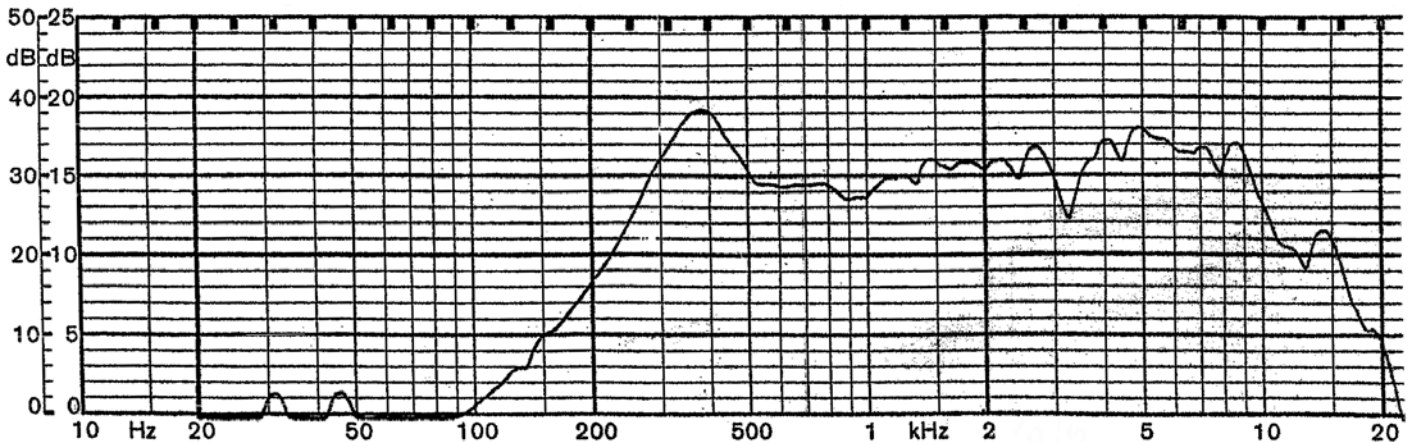


### Specifications

Nominal Size	77 mm (3.00in)	(See attached drawing)
Impedance	8 Ohm $\pm$ 15%	at 800 Hz 1 V
Resonant frequency	360 Hz $\pm$ 72 Hz	at 1 V
Sound pressure level	91 dB/w $\pm$ 3 dB	1 w 50 cm ave. at 1.0K, 1.4K, 1.7K, 2.0K Hz
Response	Fo Hz ~ 11 KHz max 10 dB	
Input power	Nominal 1 W	Handling capacity 2 W
Operation	must be normal at program source 1 W	
Buzz, rattle, etc.	must be normal at sine wave 2.82 V	
Magnet	Size: 32 x 18 x 6 mm	
Load test	White noise 1 W	for 24 hours
Heat test	60 $\pm$ 2° C	20-50% R.H. 24 hours
Humidity test	40 $\pm$ 2° C	90-95% R.H. 24 hours

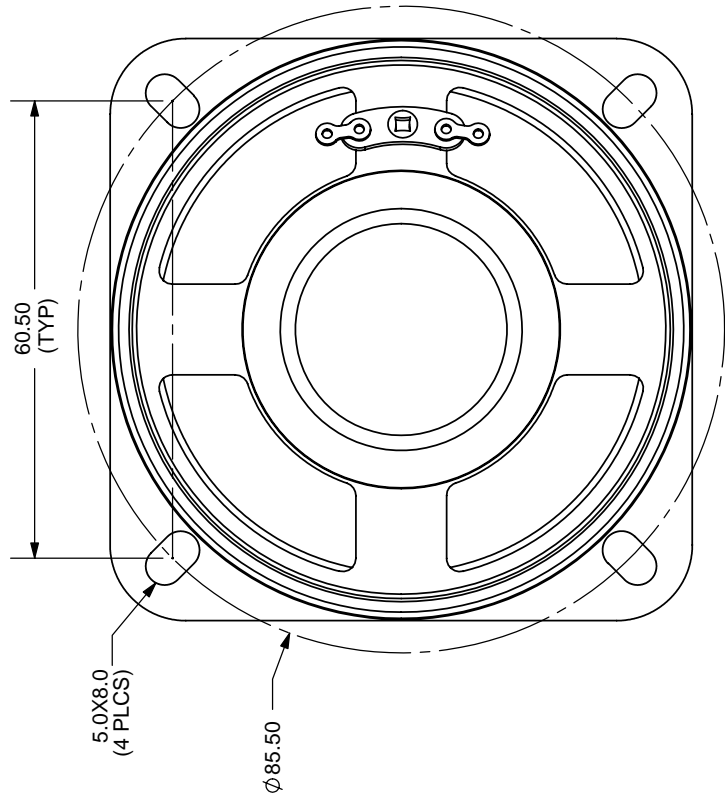
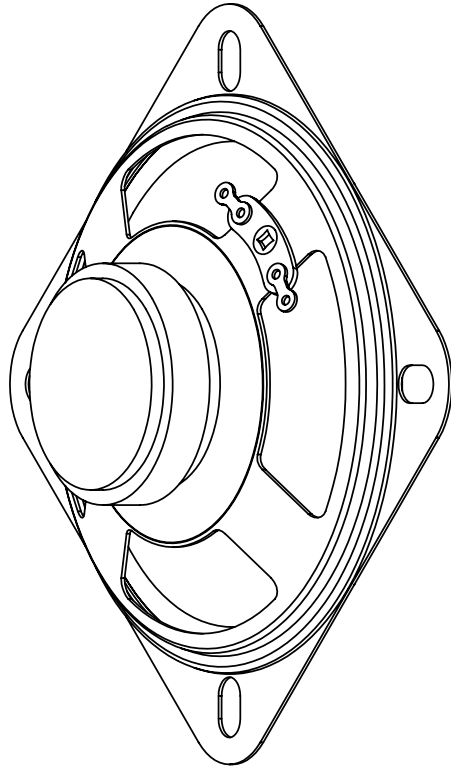
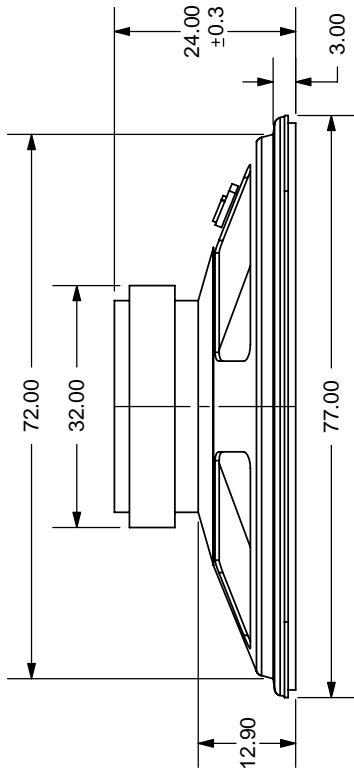
### Frequency Response Curve

Potentiometer range	50 dB
Rectifier	RMS
Lower limit frequency	20 Hz
Wr. speed	100 mm/sec



Zero level 60 dB

REV.	DESCRIPTION	DATE
A	NEW DRAWING	8/8/2006



TOLERANCE:  
±0.3mm UNLESS OTHERWISE  
SPECIFIED



**CUI INC**

20050 SW 112th Ave.  
Tualatin, OR 97062  
Phone: 503-643-4899  
800-275-4899  
Fax: 503-372-1266  
Website: www.cui.com

TITLE: Square frame mylar cone - ferrite magnet REV: A

PART NO: GF0776M UNITS: MM [INCHES]

DRAWN BY: ZRJ APPROVED BY: SCALE: 1:1

PC FILE NAME: GF0776M