

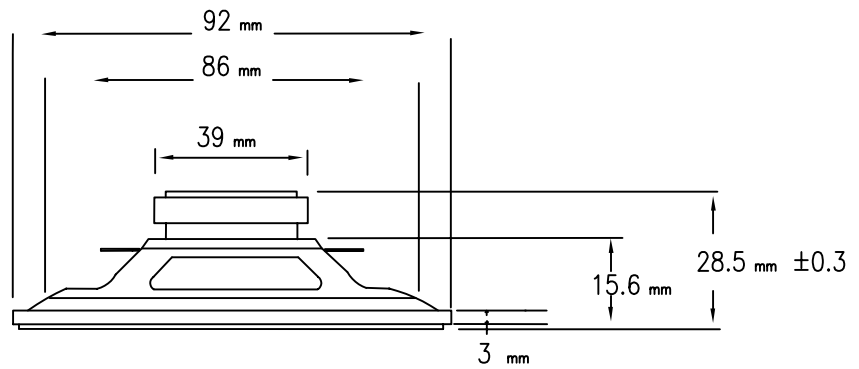
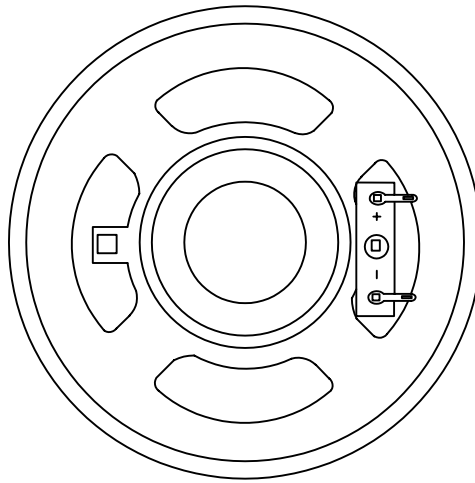


9615 SW Allen, Suite 103
 Beaverton, OR 97005
 Phone: (503) 643-4899
 800-275-4899
 Fax: (503) 372-1266
 Website: www.cui.com

Specifications

1	Part No.	GF0922			
2	Nominal Size	92 mm.	3 - 1/2"	inch	
3	Impedance	8Ω ± 15%	at	800 Hz.	1 V.
4	Resonance	300 Hz.±	60 Hz.	F0 Hz.	1 V.
5	S.P. Level	93 dB/W	3 dB	1 w. 50 cm. average at	
6	Response	fo Hz.~	13K Hz.	MAX 10dB	500, 700, 900, 1K Hz.
7	Crossover Freq.	Hz.	Hz.	dB/OCT	Net work
8	Input Power	Nominal Input	2 w.	Handling Capacity	3 w.
9	Operation	Must be normal at program source			2 w.
10	Buzz, Rattle, etc.	Must be normal at sine wave			4 v.
11	Flux Density	Gauss ± 10%			
12	Total Flux	Max well min			
13	Magnet	Size	39 x 22 x 7 mm	gr	oz
14	Total Weight	gr oz			
15	Load Test	After test meet item 9 and 10	White noise	2 W.	5 Hours
16	Distortion	% MAX		Hz	W.
17	Heat Test	After test meet item 9 and 10	70±2 ±°C	20-50 %R.H.	5 Hours
18	Humidity Test	After test meet item 9 and 10	40±2 ±°C	90-95 %R.H.	5 Hours

PART NO.	GF0922	UNITS:	mm
DRAWN BY:		PAGE NO:	1 of 2



9615 SW Allen, Suite 103
Beaverton, OR 97005
Phone: (503) 643-4899
800-275-4899
Fax: (503) 372-1266
Website: www.cui.com

TITLE:

PART NO.

GF0922

UNITS:

mm

DRAWN BY:

APPROVED BY: