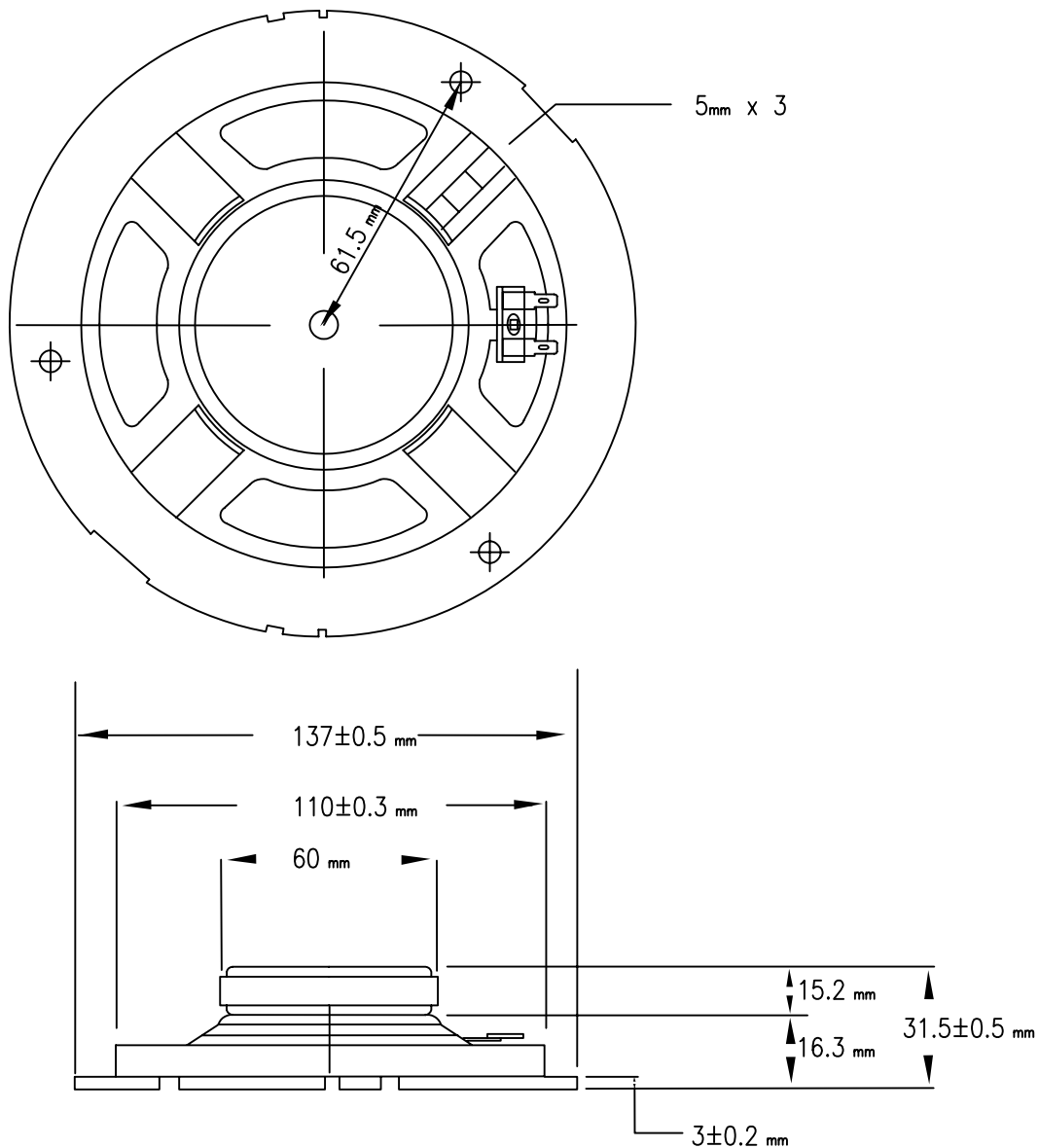


# Specifications

1	Part No.	GF1207			
2	Nominal Size	120 mm.	5"	inch	
3	Impedance	$8 \Omega \pm 15\%$	at	600 Hz.	1 V.
4	Resonance	160 Hz. $\pm$ 32 Hz.	FO Hz.	1 V.	
5	S.P. Level	96 dB/w $\pm$ 2 dB	1 w.	50 cm.	average at
6	Response	fo Hz. $\sim$ 8K Hz.	MAX 10dB	500, 600, 800, 1K Hz.	
7	Crossover Freq.	Hz.	Hz.	dB/OCT	Net work
8	Input Power	Nominal Input	5 w.	Handling Capacity	10 w.
9	Operation	Must be normal at program source			5 w.
10	Buzz, Rattle, etc.	Must be normal at sine wave			6.3 v.
11	Flux Density	Gauss $\pm$ 10%			
12	Total Flux	Max well min			
13	Magnet	Size	60 x 32 x 8 mm	gr	oz
14	Total Weight	gr oz			
15	Load Test	After test meet item 9 and 10	White noise	5 w.	48 Hours
16	Distortion	% MAX		Hz	W.
17	Heat Test	After test meet item 9 and 10	70 $\pm$ 2 $\pm$ °C	20-50 %R.H.	48 Hours
18	Humidity Test	After test meet item 9 and 10	40 $\pm$ 2 $\pm$ °C	90-95 %R.H.	48 Hours

PART NO.	GF1207	UNITS:	mm
DRAWN BY:		PAGE NO:	1 of 2

For more information, please visit the [product page](#).



9615 SW Allen, Suite 103  
Beaverton, OR 97005  
Phone: (503) 643-4899  
800-275-4899  
Fax: (503) 372-1266  
Website: [www.cui.com](http://www.cui.com)

TITLE:

PART NO.

GF1207

UNITS:

mm

DRAWN BY:

Page No.

2 of 2