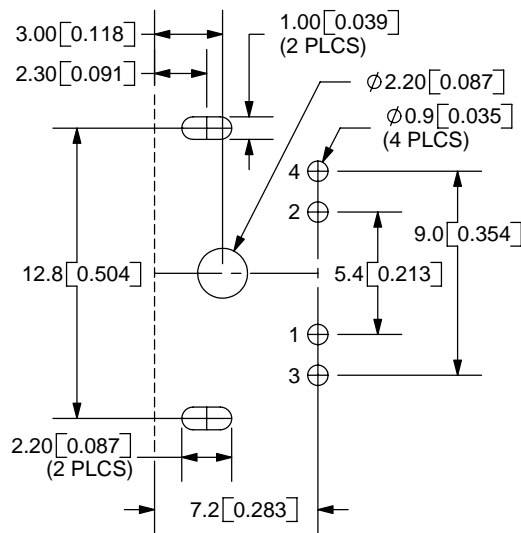
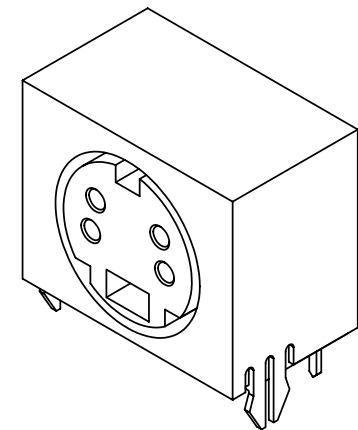
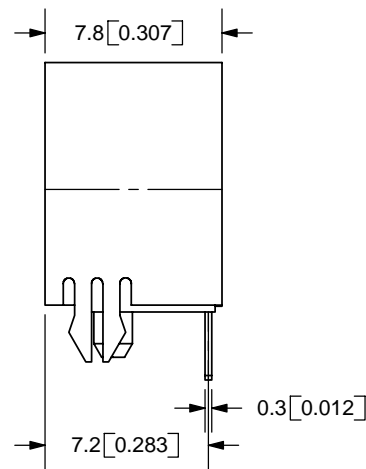
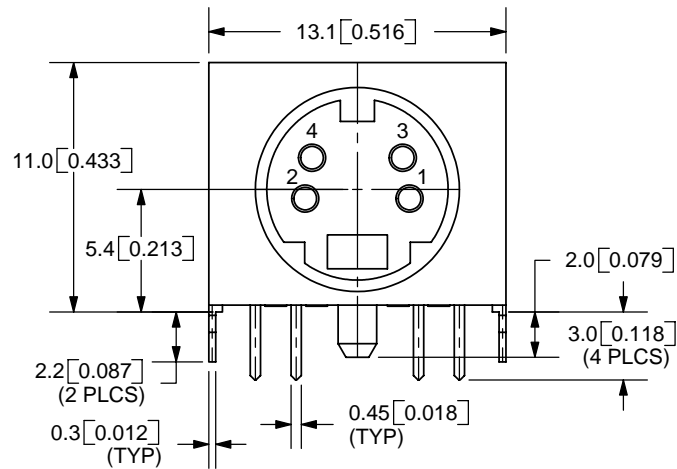
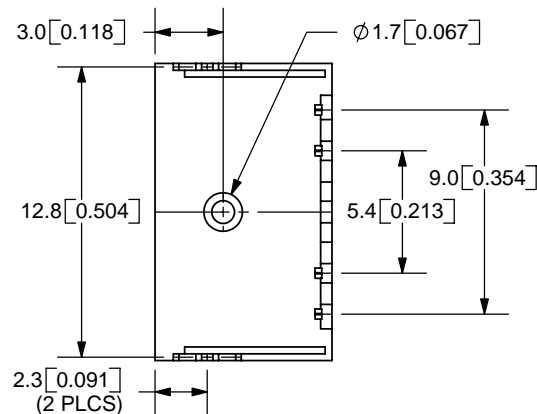


REV.	DESCRIPTION	DATE
A	NEW DRAWING	12/5/2005
B	Added pin dimensions	5/4/2006



PCB LAYOUT
TOP VIEW



TOLERANCE:
X.X ±0.2mm
X.XX ±0.1mm
X.XXX ±0.05mm



SPECIFICATIONS:

RATING: 12V DC @ 2A; 100V AC @ 1A
CONTACT RESISTANCE: 30m OHMS MAX
INSULATION RESISTANCE: 50M OHMS MIN; 250V DC
VOLTAGE WITHSTAND: 250V AC R.M.S. FOR 1 MINUTE
INSERTION FORCE: 4.5KG MAX
WITHDRAWAL FORCE: 0.8KG~3.5KG
LIFE: 5,000 CYCLES

	MATERIAL	PLATING
TERMINALS (1-4)	Phosphor Bronze	Silver
EARTH TERMINAL	Brass	Tin
HOUSING	PBT	



20050 SW 112th Ave.
Tualatin, OR 97062
Phone: 503-643-4899
800-275-4899
Fax: 503-372-1266
Website: www.cui.com

TITLE: MINIATURE CIRCULAR DIN CONNECTOR	REV: B
PART NO. MD2-40ST	UNITS: MM [INCHES]
DRAWN BY: ZRJ	APPROVED BY:
	SCALE: 3:1

PC FILE NAME:
MD2-40ST

COPYRIGHT 2006 BY CUI INC.