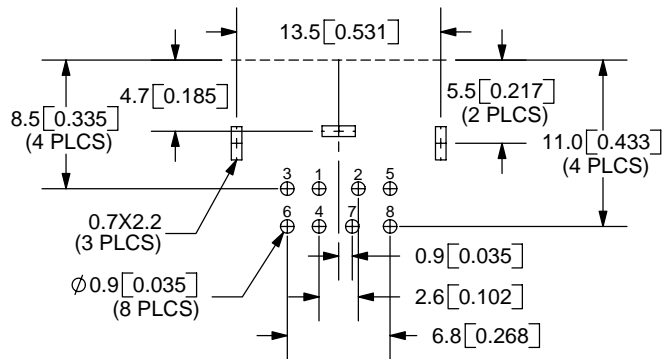
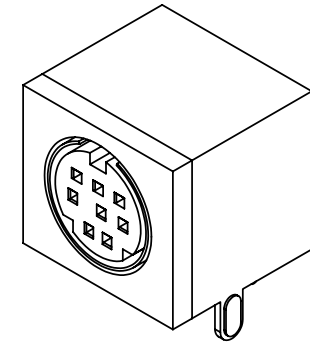
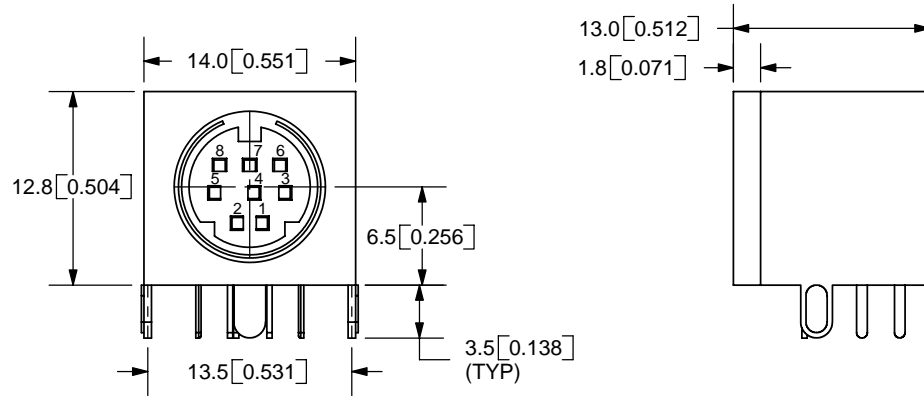


REV.	DESCRIPTION	DATE
A	NEW DRAWING	12/5/2005
B	Added dimensions	3/3/2006



HOLE LAYOUT
TOP VIEW

SPECIFICATIONS:

RATING: 12V DC @ 2A; 100V AC @ 1A
 INSULATION RESISTANCE: 50M OHMS MIN; 250V DC
 VOLTAGE WITHSTAND: 250V AC R.M.S. FOR 1 MINUTE
 CONTACT RESISTANCE: 30m OHMS MAX
 INSERTION FORCE: 5KG MAX
 WITHDRAWAL FORCE: 0.8KG~3.5KG
 LIFE: 5,000 CYCLES

TOLERANCE:
 ±0.2mm UNLESS OTHERWISE
 SPECIFIED



CUI INC

20050 SW 112th Ave.
 Tualatin, OR 97062
 Phone: 503-643-4899
 800-275-4899
 Fax: 503-372-1266
 Website: www.cui.com

PC FILE NAME:
 MD-80SM

COPYRIGHT 2006 BY CUI INC.

	MATERIAL	PLATING	TITLE: MINIATURE CIRCULAR DIN CONNECTOR	REV: B
SHIELDING PLATE	Steel	Tin	PART NO. MD-80SM	UNITS: MM [INCHES]
CONTACTOR	Phosphor Bronze	Silver		
TERMINAL	Brass	Tin	DRAWN BY: ZRJ	APPROVED BY:
HOUSING	PBT			