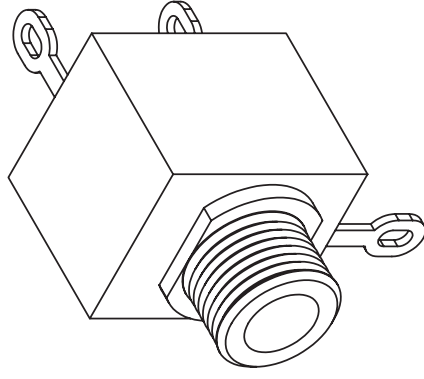
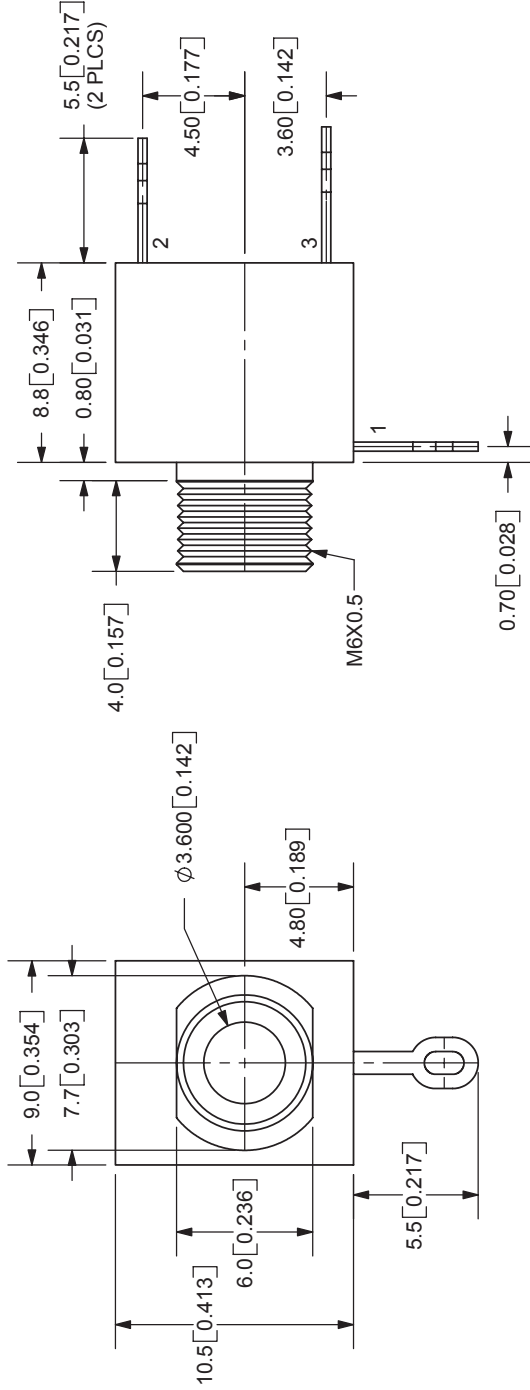


REV.	DESCRIPTION	DATE
A	NEW DRAWING	12/5/2005



TOLERANCE:
 X.X ±0.2mm
 X.XX ±0.1mm
 X.XXX ±0.05mm



9615 SW Allen Blvd., Ste. 103
 Beaverton, OR 97005
 Phone: 503-643-4899
 800-275-4899
 Fax: 503-372-1266
 Website: www.cui.com

SPECIFICATIONS:
 RATING: 12V DC @ 1A
 CONTACT RESISTANCE: 30m OHMS MAX
 INSULATION RESISTANCE: 50M OHMS MIN: 500V DC
 VOLTAGE WITHSTAND: 500V AC R.M.S. FOR 1 MINUTE
 LIFE: 5,000 CYCLES
 OPERATING TEMP: -25° ~ +85°C

MODEL NO.	MJ-3507
DIA.	THREADED
	M6X0.5
SCHEMATIC	

TITLE:	3.5mm AUDIO JACK-MONO	REV:	A
PART NO:	MJ-3507	UNITS:	MM [INCHES]
DRAWN BY:	ZRJ	APPROVED BY:	
		SCALE:	3:1

TERMINAL	MATERIAL	PLATING
TERMINAL 1	Brass	Tin
TERMINAL 2	Copper Alloy	Tin
TERMINAL 3	Brass	Tin
BUSHING	Brass	Nickel
HOUSING	PBT	

PC FILE NAME: MJ-3507

COPYRIGHT 2006 BY CUI INC.