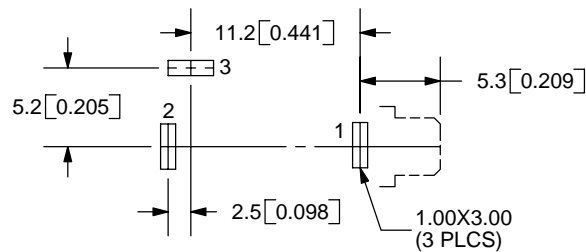
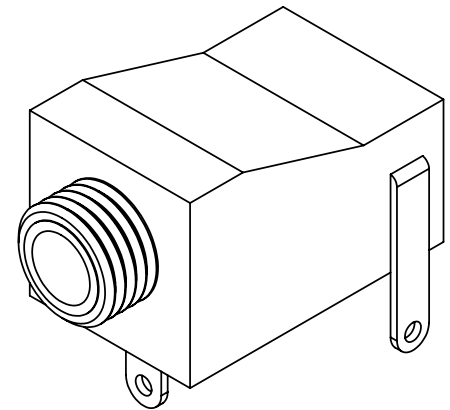
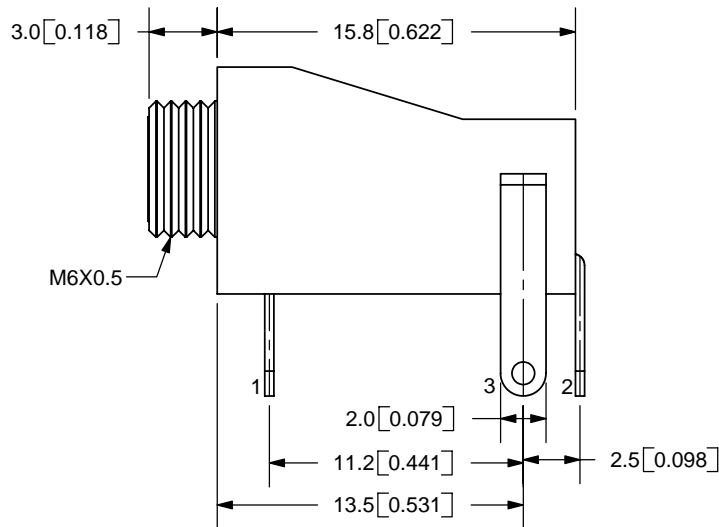
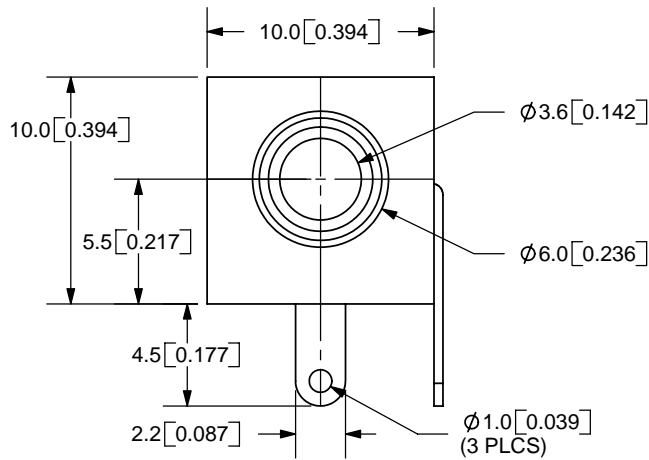


REV.	DESCRIPTION	DATE
A	NEW DRAWING	11/17/2005



PCB LAYOUT
TOP VIEW
(SCALE 2:1)

MODEL NO.	MJ-3536
D DIA.	THREADED M6X0.5
SCHEMATIC	

SPECIFICATIONS:
 RATING: 12V DC @ 1A
 CONTACT RESISTANCE: 30m OHMS MAX
 INSULATION RESISTANCE: 50M OHMS MIN: 100V DC
 VOLTAGE WITHSTAND: 500V AC R.M.S. FOR 1 MINUTE
 LIFE: 5,000 CYCLES

	MATERIAL	PLATING
BUSHING	Brass	Nickel
TERMINAL 1	Brass	Tin
TERMINAL 2	Copper Alloy	Tin
TERMINAL 3	Brass	Tin
HOUSING	PBT	

TOLERANCE:
 X.X ±0.2mm
 X.XX ±0.1mm
 X.XXX ±0.05mm

RoHS
Compliant



9615 SW Allen Blvd., Ste. 103
 Beaverton, OR 97005
 Phone: 503-634-4899
 800-275-4899
 Fax: 503-372-1266
 Website: www.cui.com

TITLE: 3.5mm AUDIO JACK-MONO	REV: A
PART NO. MJ-3536	UNITS: MM [INCHES]
DRAWN BY: ZRJ	APPROVED BY:
	SCALE: 3:1

PC FILE NAME:
MJ-3536

COPYRIGHT 2005 BY CUI INC.