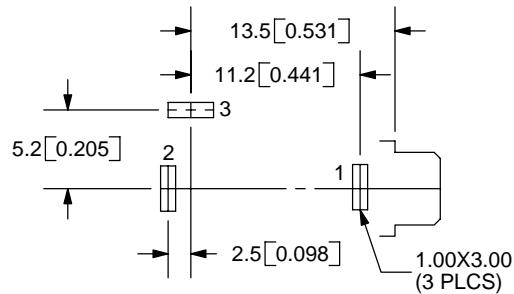
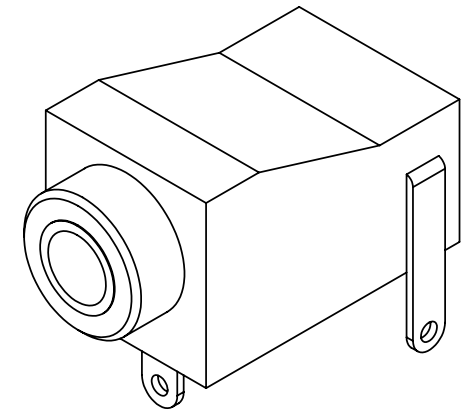
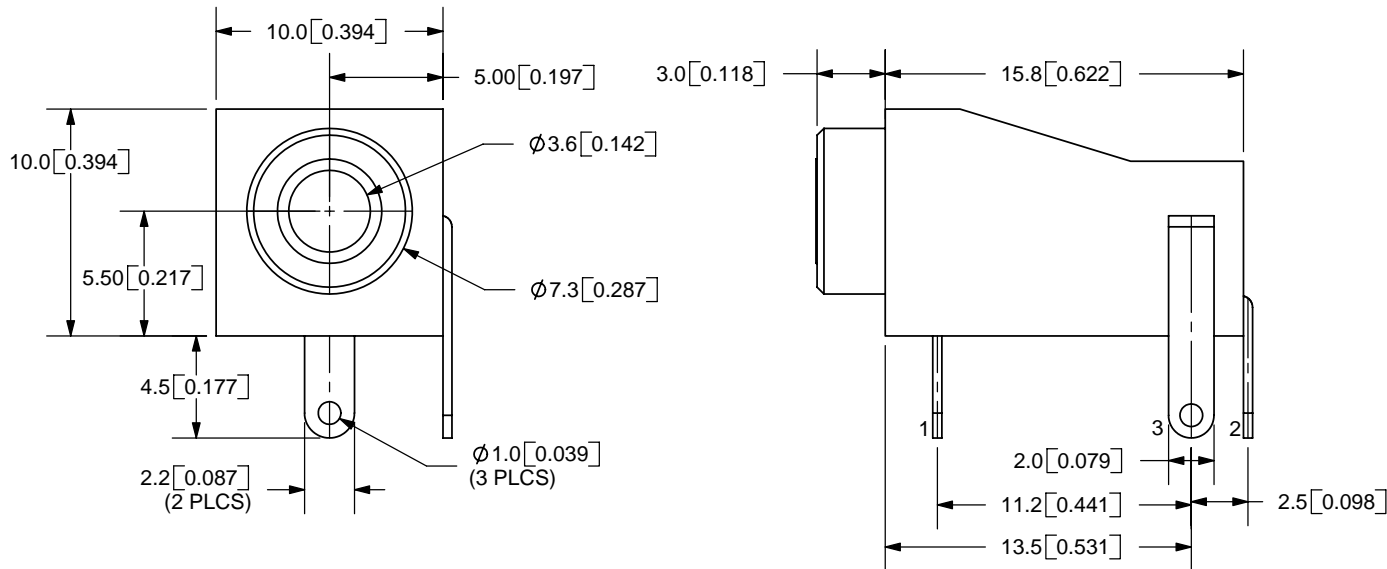


REV.	DESCRIPTION	DATE
A	NEW DRAWING	10/14/2005



PCB LAYOUT  
TOP VIEW  
(SCALE 2:1)

**SPECIFICATIONS:**  
 RATING: 12V DC @ 1A  
 CONTACT RESISTANCE: 30m OHMS MAX  
 INSULATION RESISTANCE: 50M OHMS MIN: 100V DC  
 VOLTAGE WITHSTAND: 500V AC R.M.S. FOR 1 MINUTE  
 LIFE: 5,000 CYCLES

TOLERANCE:  
 X.X ±0.2mm  
 X.XX ±0.1mm  
 X.XXX ±0.05mm

**RoHS**  
Compliant



9615 SW Allen, Suite 103  
 Beaverton, OR 97005  
 Phone: (503) 643-4899  
 800-275-4899  
 Fax: (503) 372-1266  
 Website: www.cui.com

MODEL NO.	MJ-3536NG
SCHEMATIC	

	MATERIAL	PLATING
BUSHING	Brass	Nickel
TERMINAL 1	Brass	Tin
TERMINAL 2	Copper Alloy	Tin
TERMINAL 3	Brass	Tin
INSULATION CAP	PC	
HOUSING	PBT	

TITLE:	3.5mm AUDIO JACK-MONO	REV:	A
PART NO.	MJ-3536NG	UNITS:	MM [INCHES]
DRAWN BY:	ZRJ	APPROVED BY:	
		SCALE:	3:1

PC FILE NAME:  
MJ-3536NG

COPYRIGHT 2005 BY CUI INC.