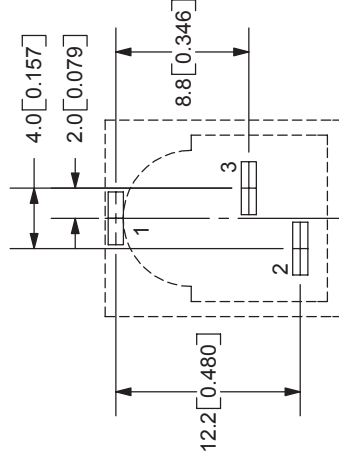
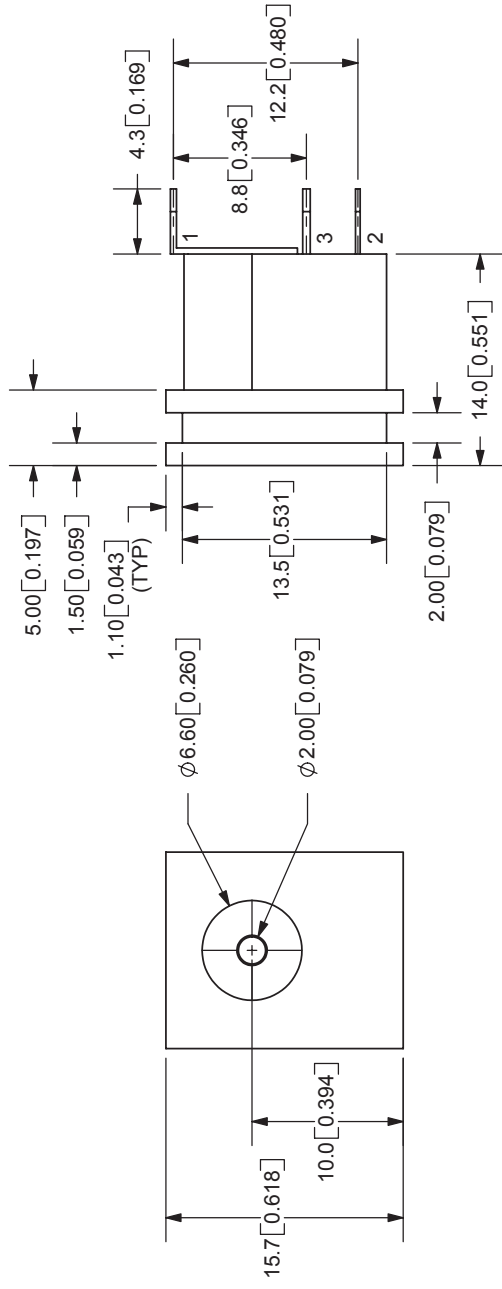
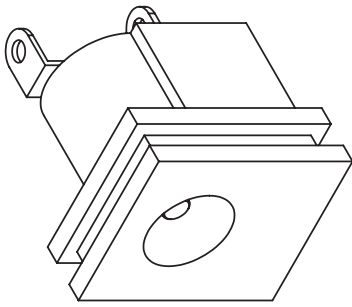


REV.	DESCRIPTION	DATE
A	NEW DRAWING	11/8/2005



PCB LAYOUT
FRONT VIEW



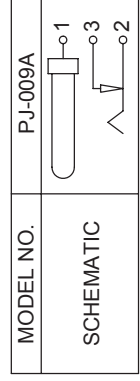
TOLERANCE:
X.X ±0.2mm
X.XX ±0.1mm
X.XXX ±0.05mm



9615 SW Allen Blvd., Ste. 103
Beaverton, OR 97005
Phone: 503-643-4899
800-275-4899
Fax: 503-372-1266
Website: www.cui.com

SPECIFICATIONS:
RATING: 16V DC @ 2.5A
CONTACT RESISTANCE: 30m OHMS MAX
INSULATION RESISTANCE: 50M OHMS MIN: 500V DC
VOLTAGE WITHSTAND: 500V AC R.M.S. FOR 1 MINUTE
LIFE: 5,000 CYCLES
OPERATING TEMP: -25° ~ +85°C

MATERIAL	PLATING
CENTER PIN	Nickel
TERMINAL 1	Tin
TERMINAL 2	Tin
TERMINAL 3	Tin
HOUSING	PBT



CENTER PIN DIAMETER 2.0mm Dia.

TITLE: DC POWER JACK	REV: A
PART NO: PJ-009A	UNITS: MM [INCHES]
DRAWN BY: ZRJ	APPROVED BY:
	SCALE: 2:1