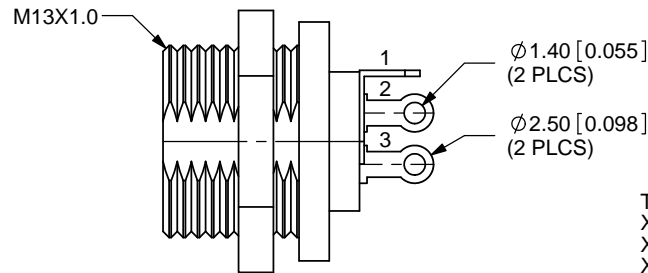
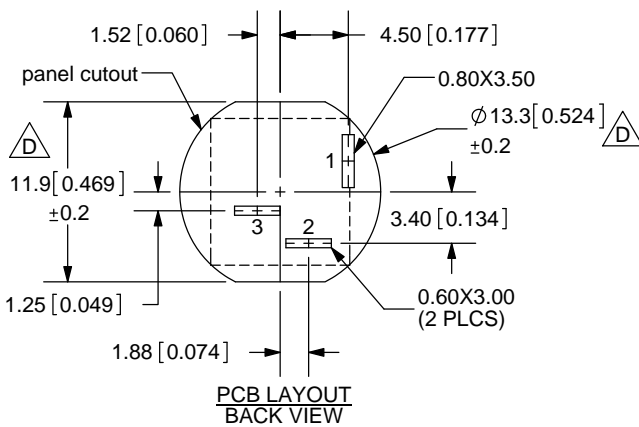
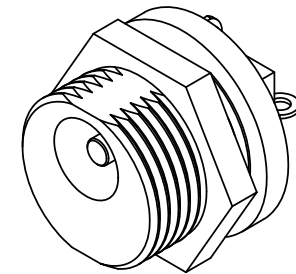
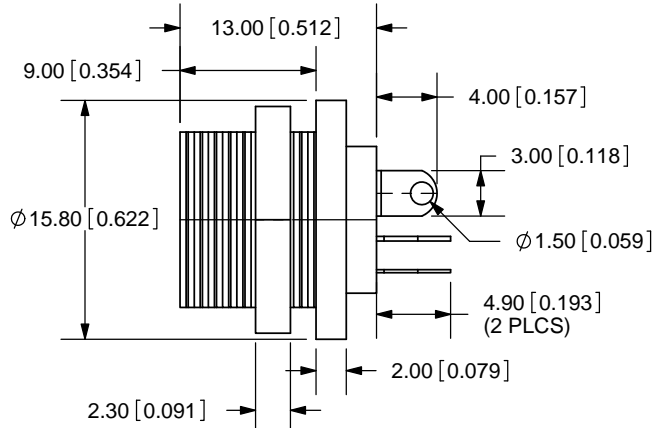
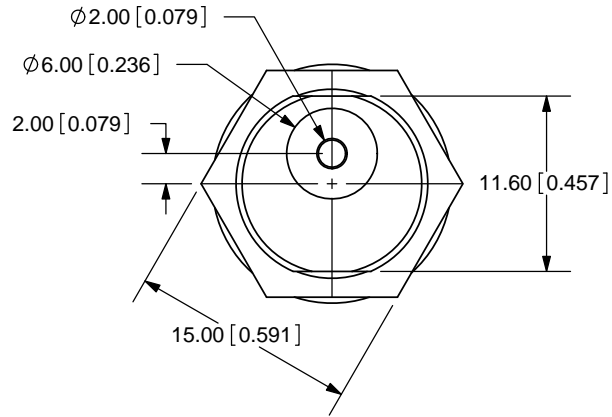


REV.	DESCRIPTION	DATE
B	update to pin positions	5/1/2008
C	model revised	5/12/2008
D	hole cutout dimensions added	6/27/2011



TOLERANCE:  
 X.X ±0.2mm  
 X.XX ±0.1mm  
 X.XXX ±0.05mm



**SPECIFICATIONS:**  
 RATING: 12V DC @ 2A  
 CONTACT RESISTANCE: 30m OHMS MAX  
 INSULATION RESISTANCE: 100M OHMS MIN: 500V DC  
 VOLTAGE WITHSTAND: 500V AC R.M.S. FOR 1 MINUTE  
 LIFE: 5,000 CYCLES



**CUI INC**

20050 SW 112th Ave.  
 Tualatin, OR 97062  
 Phone: 503-612-2300  
 800-275-4899  
 Fax: 503-612-2383  
 Website: www.cui.com

MODEL NO.	PJ-011A
SCHMATIC	

CENTER PIN DIAMETER 2.0mm Dia.

	MATERIAL	PLATING
CENTER PIN	Copper	Nickel
TERMINAL 1	Brass	Silver
TERMINAL 2	Phosphor Bronze	Silver
TERMINAL 3	Brass	Silver
NUT	Brass	Nickel
INSULATOR	Bakelite	
HOUSING	POM	

TITLE:	DC POWER JACK	REV:	D
PART NO.	PJ-011A	UNITS:	MM [INCHES]
DRAWN BY:	ZRJ	APPROVED BY:	
		SCALE:	2:1

PC FILE NAME:  
PJ-011A

COPYRIGHT 2011 BY CUI INC.