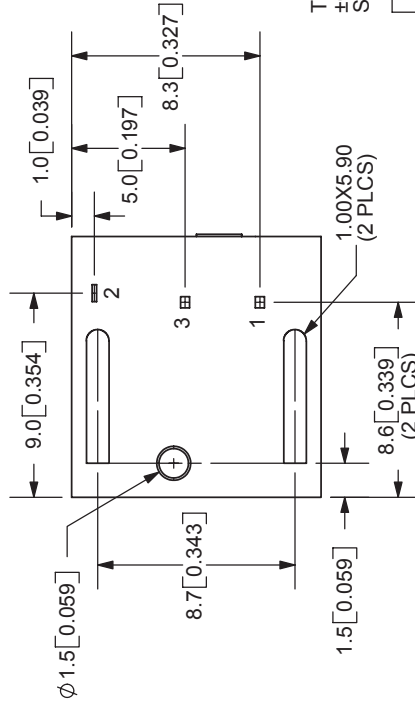
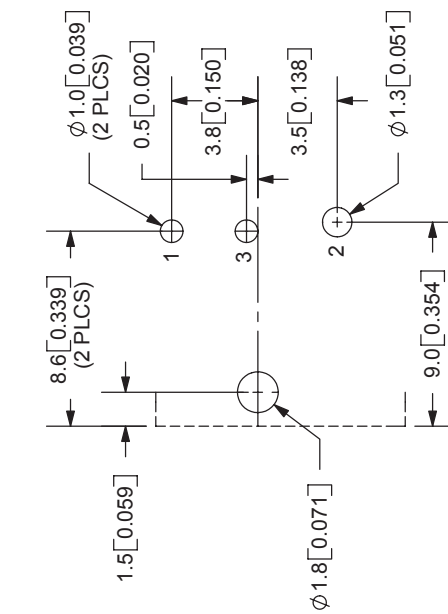
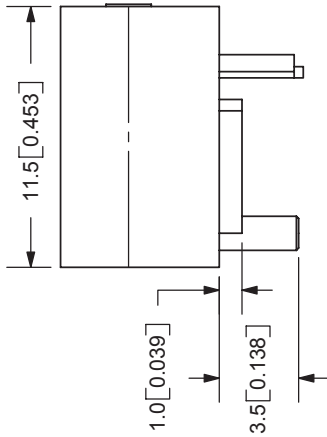
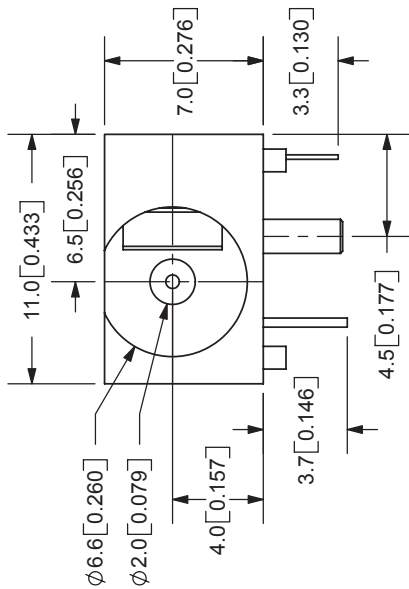


REV. A	DESCRIPTION NEW DRAWING	DATE 5/17/2006
-----------	----------------------------	-------------------

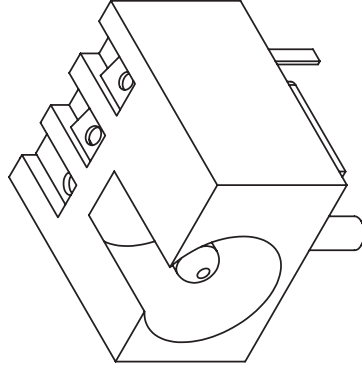


PCB LAYOUT
TOP VIEW

MODEL NO.	PJ-012A
SCHEMATIC	
CENTER PIN DIAMETER 2.0mm	

SPECIFICATIONS:
 RATING: 16V DC @ 2A
 CONTACT RESISTANCE: 30m OHMS MAX
 INSULATION RESISTANCE: 100M OHMS MIN: 500V DC
 VOLTAGE WITHSTAND: 500V AC R.M.S. FOR 1 MINUTE
 LIFE: 5,000 CYCLES
 OPERATING TEMP: -20° ~ +85°C

CENTER PIN	MATERIAL	PLATING
TERMINAL 1	Copper	Nickel
TERMINAL 2	Brass	Silver
TERMINAL 3	Titanium Copper Alloy	Silver
HOUSING	Brass	Silver
	PBT	



TOLERANCE:
 ±0.3mm UNLESS OTHERWISE
 SPECIFIED



9615 SW Allen Blvd., Ste. 103
 Beaverton, OR 97005
 Phone: 503-643-4899
 800-275-4899
 Fax: 503-372-1266
 Website: www.cui.com

TITLE:	DC POWER JACK	REV:	A
PART NO:	PJ-012A	UNITS:	MM [INCHES]
DRAWN BY:	ZRJ	APPROVED BY:	
		SCALE:	3:1