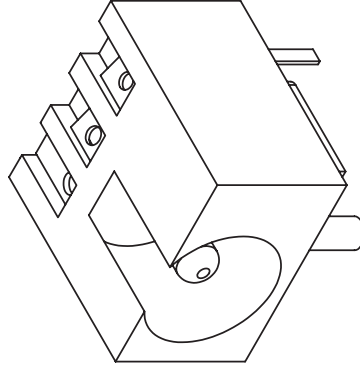
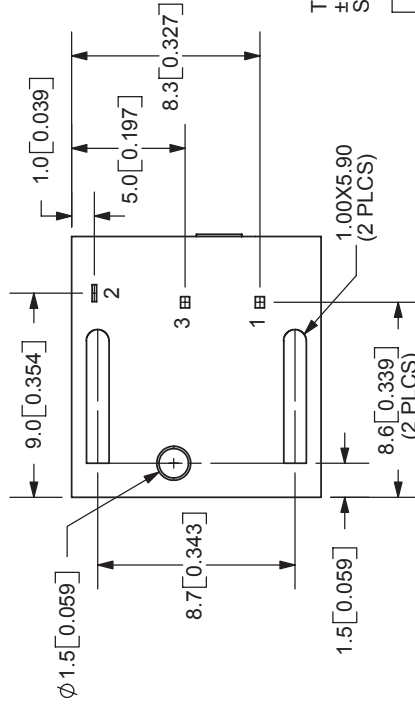
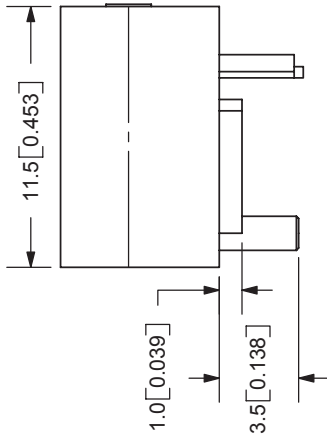
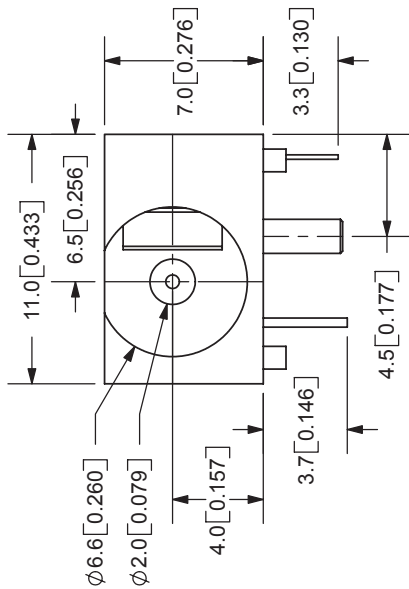


| | | |
|------|-------------|-----------|
| REV. | DESCRIPTION | DATE |
| A | NEW DRAWING | 5/17/2006 |



TOLERANCE:
#0.3mm UNLESS OTHERWISE SPECIFIED



9615 SW Allen Blvd., Ste. 103
Beaverton, OR 97005
Phone: 503-643-4899
800-275-4899
Fax: 503-372-1266
Website: www.cui.com

SPECIFICATIONS:
RATING: 16V DC @ 2A
CONTACT RESISTANCE: 30m OHMS MAX
INSULATION RESISTANCE: 100M OHMS MIN: 500V DC
VOLTAGE WITHSTAND: 500V AC R.M.S. FOR 1 MINUTE
LIFE: 5,000 CYCLES
OPERATING TEMP: -20° ~ +85°C

| | |
|---------------------------|---------|
| MODEL NO. | PJ-012A |
| SCHEMATIC | |
| CENTER PIN DIAMETER 2.0mm | |

| CENTER PIN | MATERIAL | PLATING |
|------------|-----------------------|---------|
| TERMINAL 1 | Copper | Nickel |
| TERMINAL 2 | Brass | Silver |
| TERMINAL 3 | Titanium Copper Alloy | Silver |
| HOUSING | Brass | Silver |
| | PBT | |

| | | | |
|-----------|---------------|--------------|-------------|
| TITLE: | DC POWER JACK | REV: | A |
| PART NO: | PJ-012A | UNITS: | MM [INCHES] |
| DRAWN BY: | ZRJ | APPROVED BY: | |
| | | SCALE: | 3:1 |