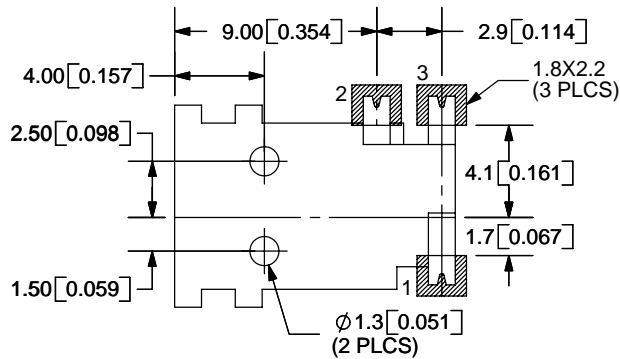
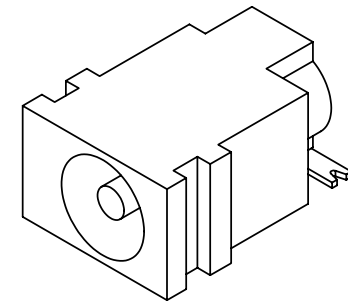
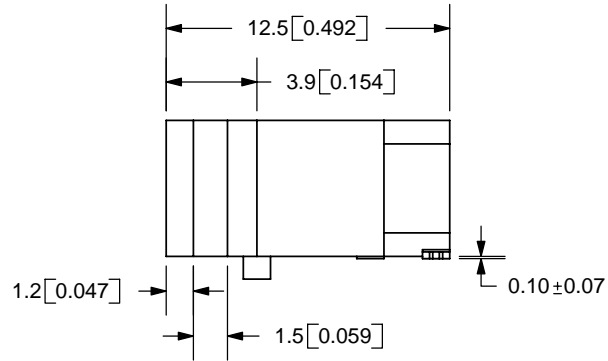
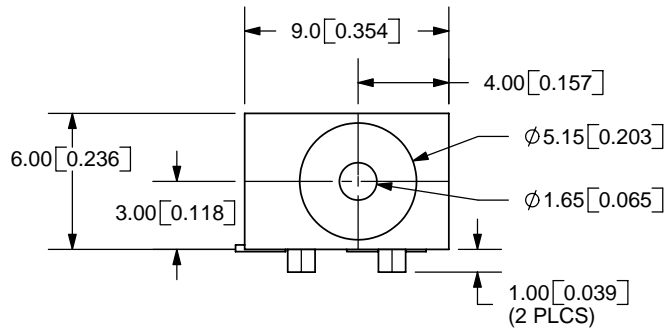
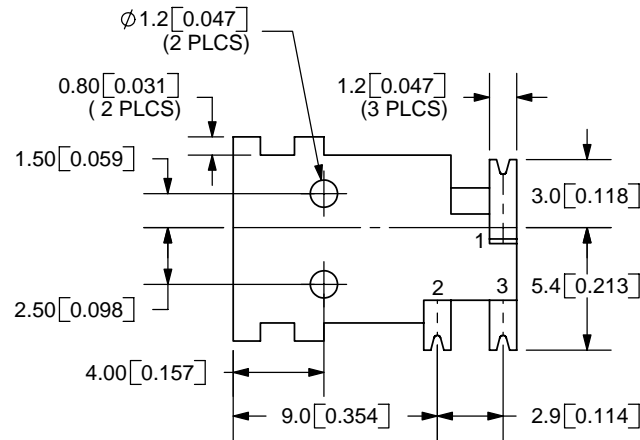


REV.	DESCRIPTION	DATE
A	NEW DRAWING	10/20/2005
B	Changed housing material to PA6T from PBT	1/10/2006



PCB LAYOUT
TOP VIEW



TOLERANCE:
X.X ± 0.2mm
X.XX ± 0.1mm
X.XXX ± 0.05mm




MODEL NO.	PJ1-021-SMT
SCHEMATIC	

CENTER PIN DIAMETER 1.65mm Dia.

SPECIFICATIONS:
 RATING: 16V DC @ 5A
 CONTACT RESISTANCE: 30m OHMS MAX
 INSULATION RESISTANCE: 100M OHMS MIN: 500V DC
 VOLTAGE WITHSTAND: 500V AC R.M.S. FOR 1 MINUTE
 LIFE: 5,000 CYCLES

	MATERIAL	PLATING
CENTER PIN	Brass	Silver
TERMINAL 1	Brass	Silver
TERMINAL 2	Copper Alloy	Silver
TERMINAL 3	Brass	Silver
HOUSING	PA6T	



9615 SW Allen Blvd., Ste. 103
 Beaverton, OR 97005
 Phone: 503-643-4899
 800-275-4899
 Fax: 503-372-1266
 Website: www.cui.com

TITLE: 1.65mm DC POWER JACK, SURFACE MOUNT		REV: B
PART NO. PJ1-021-SMT		UNITS: MM [INCHES]
DRAWN BY: ZRJ	APPROVED BY:	SCALE: 3:1