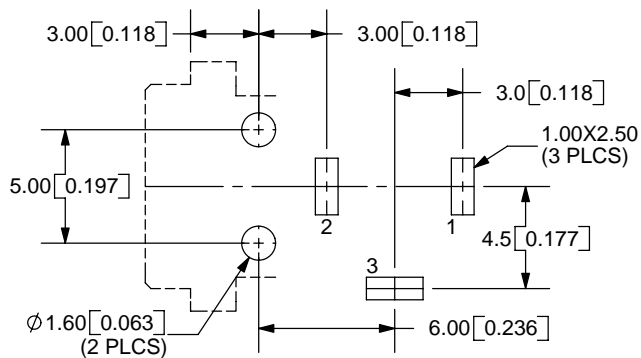
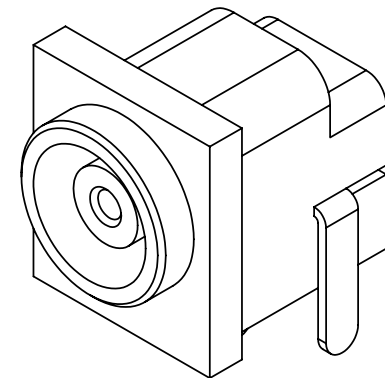
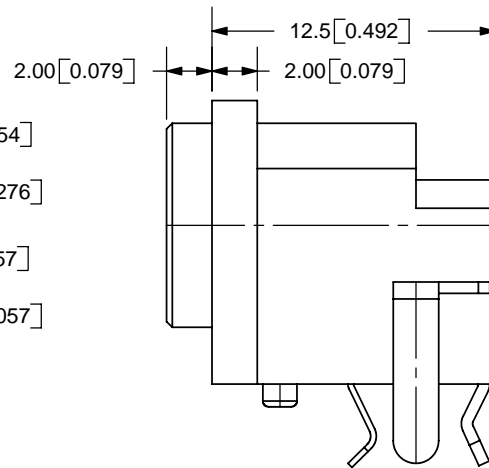
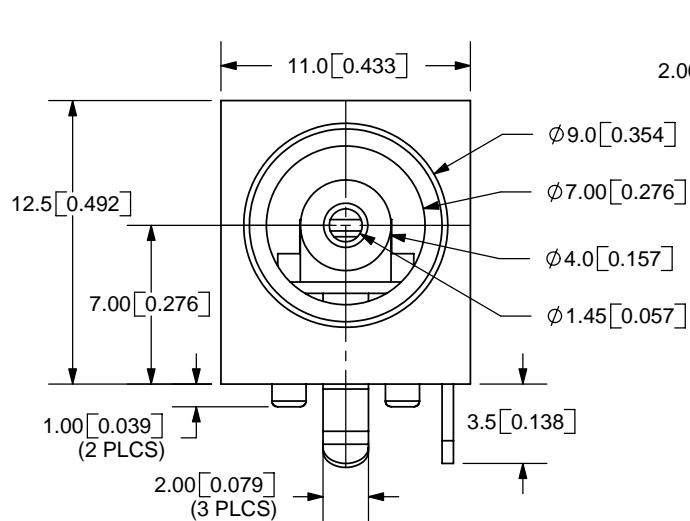
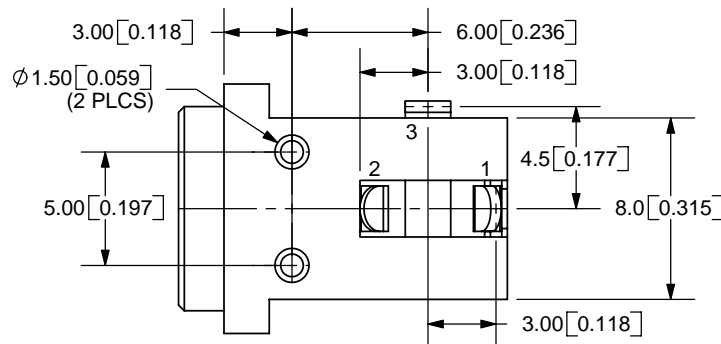


REV.	DESCRIPTION	DATE
A	NEW DRAWING	12/12/2005



PCB LAYOUT
TOP VIEW



TOLERANCE:
X.X ±0.2mm
X.XX ±0.1mm
X.XXX ±0.05mm



MODEL NO.	PJ-025
SCHEMATIC	

SPECIFICATIONS:
 RATING: 24V DC @ 3A
 CONTACT RESISTANCE: 30m OHMS MAX
 INSULATION RESISTANCE: 50M OHMS MIN: 500V DC
 VOLTAGE WITHSTAND: 500V AC R.M.S. FOR 1 MINUTE
 LIFE: 5,000 CYCLES



9615 SW Allen Blvd., Ste. 103
 Beaverton, OR 97005
 Phone: 503-643-4899
 800-275-4899
 Fax: 503-372-1266
 Website: www.cui.com

	MATERIAL	PLATING	TITLE: DC POWER SOCKET	REV: A
TERMINAL 1	Brass	Tin	PART NO. PJ-025	UNITS: MM [INCHES]
TERMINAL 2	Copper Alloy	Tin		
TERMINAL 3	Brass	Tin	DRAWN BY: ZRJ	APPROVED BY:
HOUSING	PBT			

PC FILE NAME:
PJ-025

COPYRIGHT 2006 BY CUI INC.