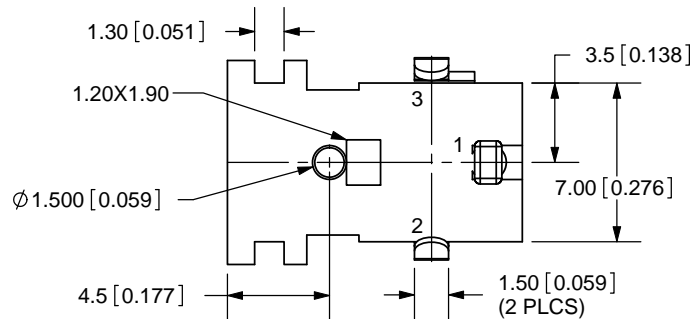
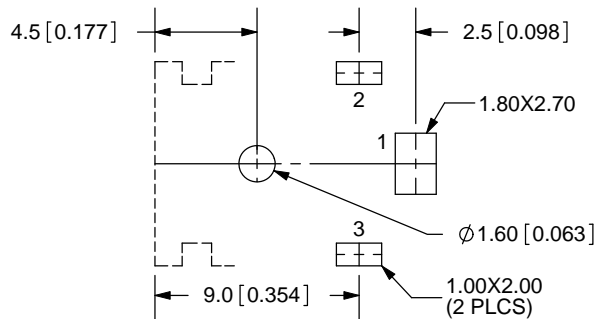
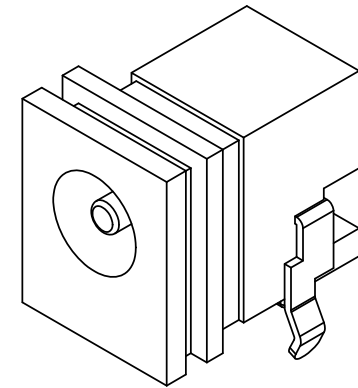
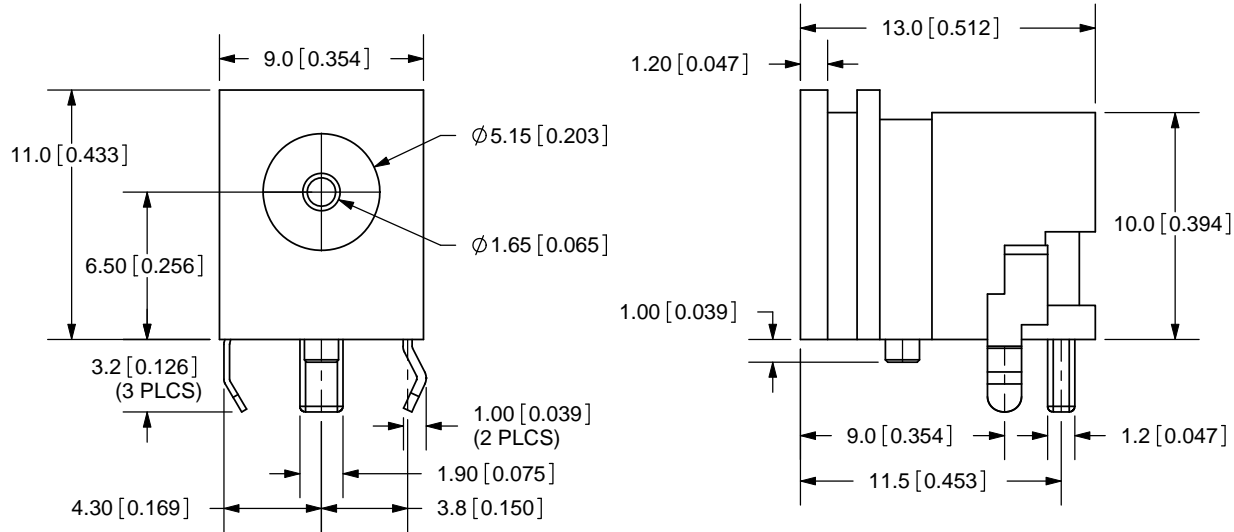


REV.	DESCRIPTION	DATE
A	NEW DRAWING	4/17/2006
B	appearance update to pin 2	11/29/2010



TOLERANCE:
X.X ± 0.2 mm
X.XX ± 0.1 mm
X.XXX ± 0.05 mm



MODEL NO.	PJ1-021
SCHEMATIC	

CENTER PIN DIAMETER 1.65mm Dia.

SPECIFICATIONS:
RATING: 16V DC @ 5A
CONTACT RESISTANCE: 30m OHMS MAX
INSULATION RESISTANCE: 50M OHMS MIN: 500V DC
VOLTAGE WITHSTAND: 500V AC R.M.S. FOR 1 MINUTE
LIFE: 5,000 CYCLES

	MATERIAL	PLATING
CENTER PIN	Copper	Nickel
TERMINAL 1	Brass	Silver
TERMINAL 2	Copper Alloy	Silver
TERMINAL 3	Brass	Silver
HOUSING	PBT	



20050 SW 112th Ave.
Tualatin, OR 97062
Phone: 503-612-2300
800-275-4899
Fax: 503-612-2383
Website: www.cui.com

TITLE:	1.65mm DC POWER JACK, PCB MOUNT	REV:	B
PART NO.	PJ1-021	UNITS:	MM [INCHES]
DRAWN BY:	ZRJ	APPROVED BY:	
		SCALE:	3:1

PC FILE NAME:
PJ1-021

COPYRIGHT 2010 BY CUI INC.