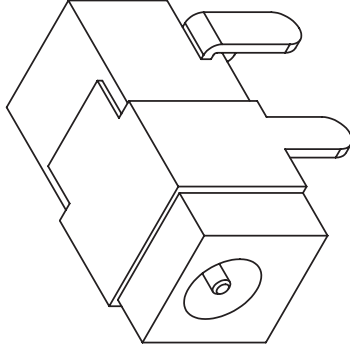
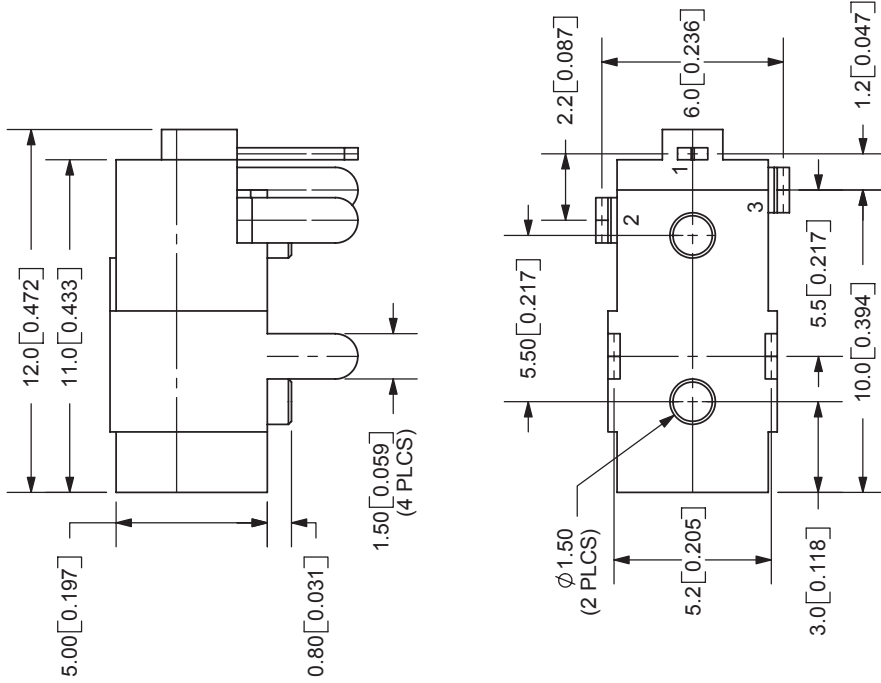
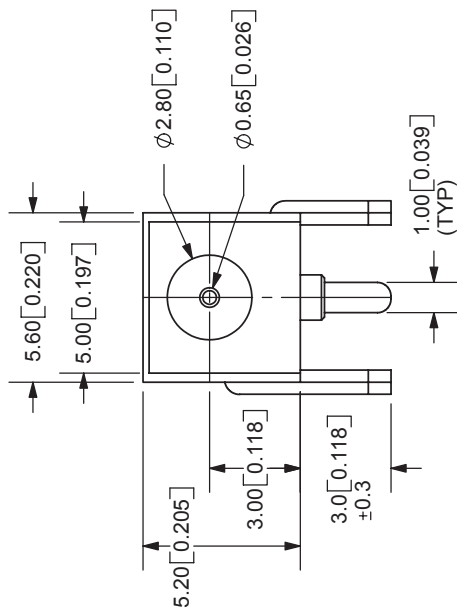



REV. A	DESCRIPTION NEW DRAWING	DATE 4/17/2006
-----------	----------------------------	-------------------



TOLERANCE:
X.X ±0.2mm
X.XX ±0.1mm
X.XXX ±0.05mm



9615 SW Allen Blvd., Ste. 103
Beaverton, OR 97005
Phone: 503-643-4899
800-275-4899
Fax: 503-372-1266
Website: www.cui.com

0.65mm DC POWER JACK, PCB MOUNT w/SHIELD

PART NO: PJ1-023

UNITS: MM [INCHES]

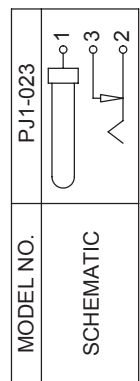
SCALE: 4:1

APPROVED BY: ZRJ

SPECIFICATIONS:
RATING: 16V DC @ 1A
CONTACT RESISTANCE: 30m OHMS MAX
INSULATION RESISTANCE: 50M OHMS MIN. 500V DC
VOLTAGE WITHSTAND: 500V AC R.M.S. FOR 1 MINUTE
LIFE: 5,000 CYCLES
OPERATING TEMP: -25° ~ +85°C

	MATERIAL	PLATING
CENTER PIN	Brass	Silver
TERMINAL 1	Brass	Silver
TERMINAL 2	Copper Alloy	Silver
TERMINAL 3	Brass	Silver
SHIELD	Cold Rolled Steel	
HOUSING	PA66	

PCBLAYOUT
TOP VIEW



CENTER PIN DIAMETER 0.65mm Dia.