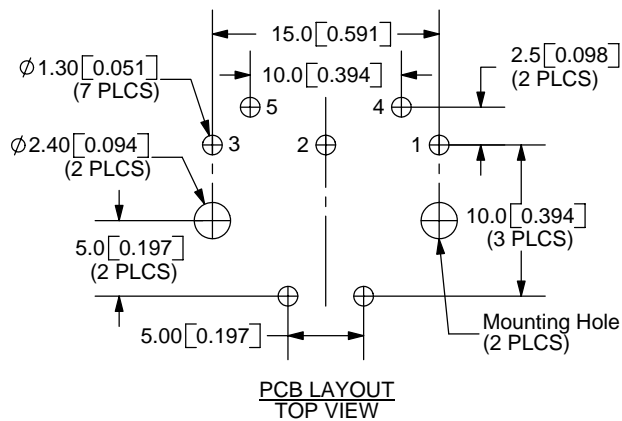
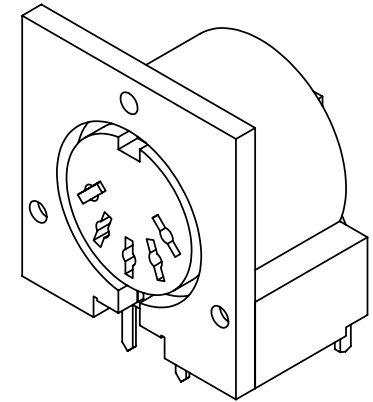
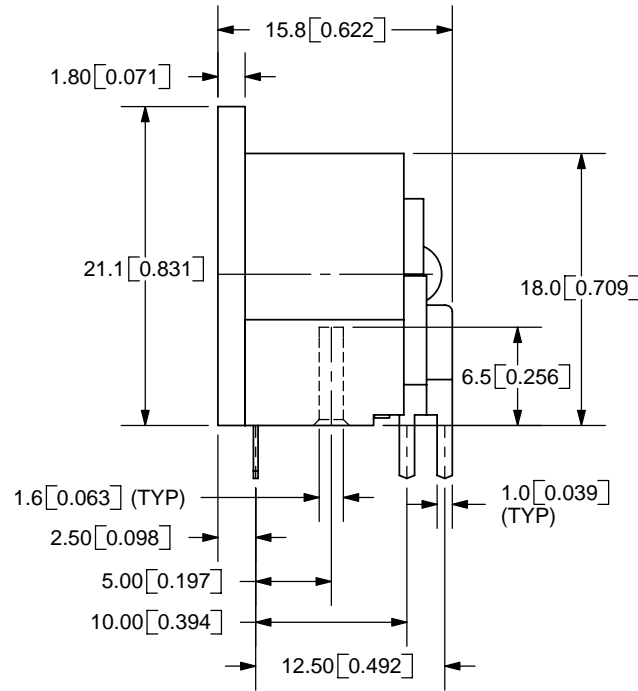
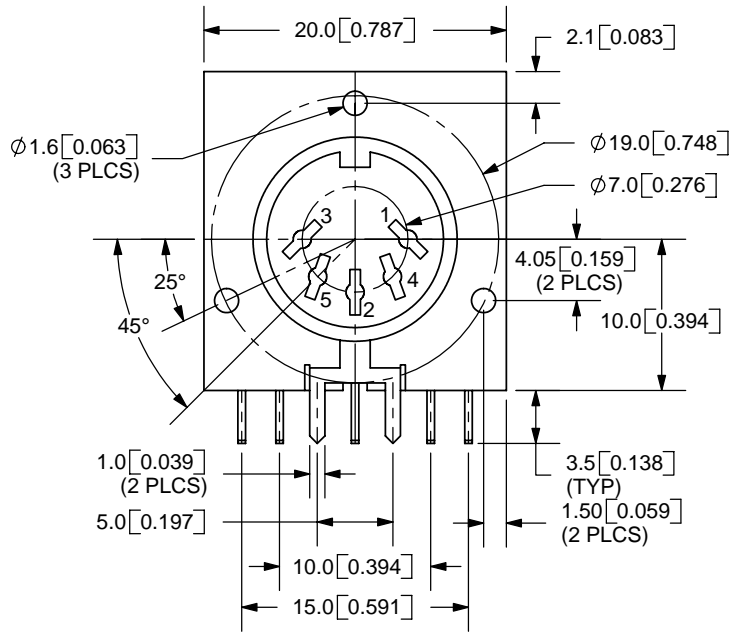


REV.	DESCRIPTION	DATE
B	Added dimensions	4/3/2006
C	Updated material list	5/15/2006
D	Changed pin numbering	8/22/2006



**SPECIFICATIONS:**  
 RATING: 12V DC @ 2A; 100V AC @ 1A  
 CONTACT RESISTANCE: 20m OHMS MAX  
 INSULATION RESISTANCE: 100M OHMS MIN; 500V DC  
 VOLTAGE WITHSTAND: 500V AC R.M.S. FOR 1 MINUTE  
 INSERTION FORCE: 5.0KG MAX  
 WITHDRAWAL FORCE: 1.0KG~3.5KG  
 LIFE: 5,000 CYCLES

TOLERANCE:  
 X.X  $\pm 0.2$ mm  
 X.XX  $\pm 0.1$ mm  
 X.XXX  $\pm 0.05$ mm



20050 SW 112th Ave.  
 Tualatin, OR 97062  
 Phone: 503-643-4899  
 800-275-4899  
 Fax: 503-372-1266  
 Website: www.cui.com

	MATERIAL	PLATING
EARTH TERMINAL	Phosphor Bronze	Tin
TERMINALS (1-5)	Brass	Tin
HOUSING	PBT	

TITLE: STANDARD CIRCULAR CONN. w/o SHIELD	REV: D
PART NO. SDS-50J	UNITS: MM [INCHES]
DRAWN BY: ZRJ	APPROVED BY:
	SCALE: 2:1

PC FILE NAME:  
 SDS-50J

COPYRIGHT 2006 BY CUI INC.