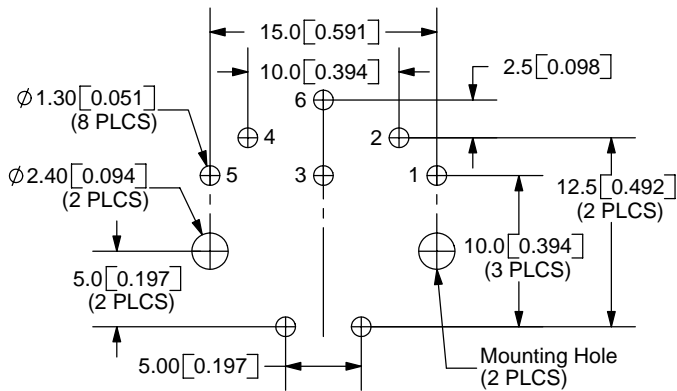
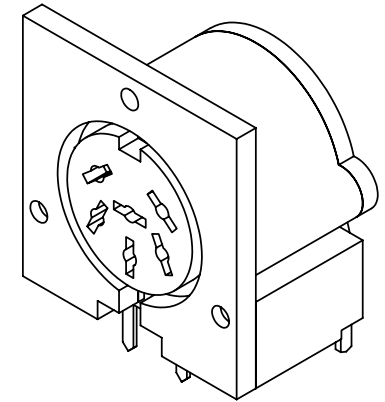
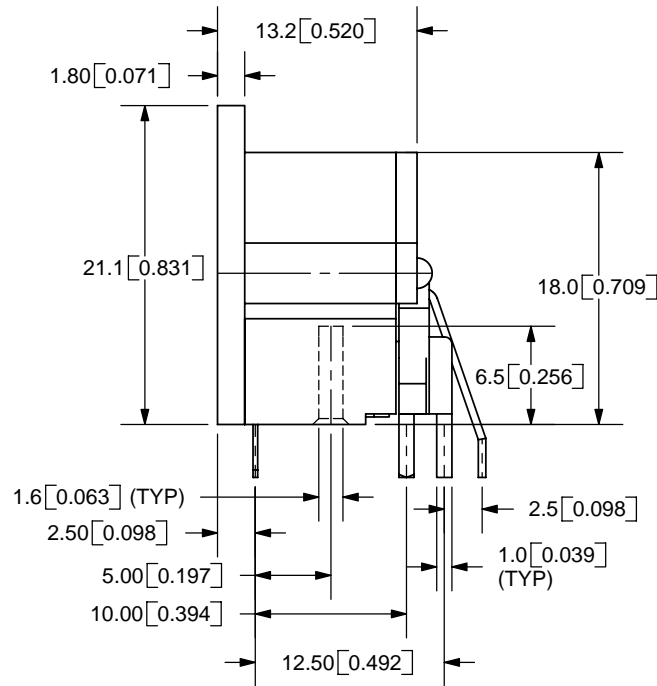
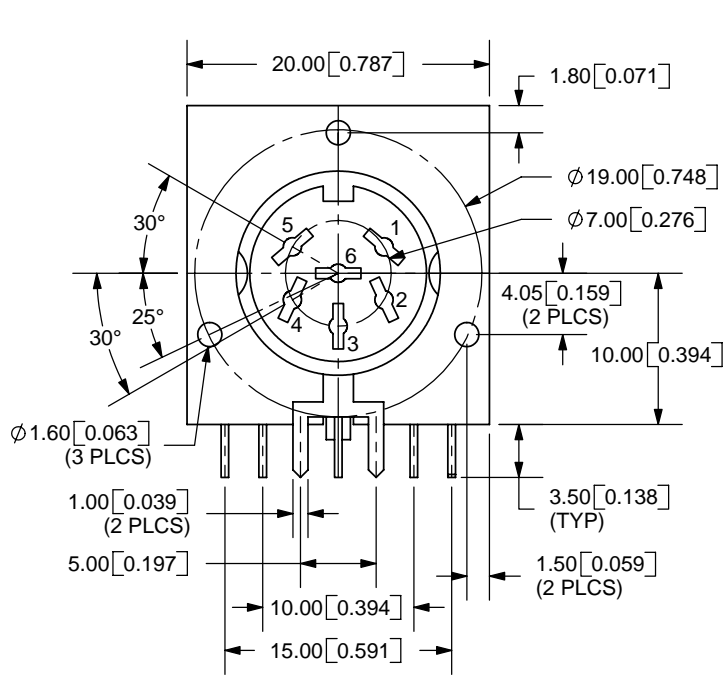


| REV. | DESCRIPTION | DATE |
|------|-----------------------|------------|
| A | NEW DRAWING | 12/19/2005 |
| B | Added dimensions | 4/3/2006 |
| C | Updated material list | 5/15/2006 |



PCB LAYOUT
TOP VIEW

SPECIFICATIONS:

RATING: 12V DC @ 2A; 100V AC @ 1A
 CONTACT RESISTANCE: 20m OHMS MAX
 INSULATION RESISTANCE: 100M OHMS MIN; 500V DC
 VOLTAGE WITHSTAND: 500V AC R.M.S. FOR 1 MINUTE
 INSERTION FORCE: 5.0KG MAX
 WITHDRAWAL FORCE: 1.0KG~3.5KG
 LIFE: 5,000 CYCLES

TOLERANCE:
 X.X ± 0.2 mm
 X.XX ± 0.1 mm
 X.XXX ± 0.05 mm



9615 SW Allen Blvd., Ste. 103
 Beaverton, OR 97005
 Phone: 503-643-4899
 800-275-4899
 Fax: 503-372-1266
 Website: www.cui.com

| | MATERIAL | PLATING |
|-----------------|-----------------|---------|
| EARTH TERMINAL | Phosphor Bronze | Tin |
| TERMINALS (1-6) | Brass | Tin |
| HOUSING | PBT | |

| | | |
|---|--------------|--------------------|
| TITLE: STANDARD CIRCULAR CONN. w/o SHIELD | | REV: C |
| PART NO. SDS-60J | | UNITS: MM [INCHES] |
| DRAWN BY: ZRJ | APPROVED BY: | SCALE: 2:1 |

PC FILE NAME:
 SDS-60J

COPYRIGHT 2006 BY CUI INC.