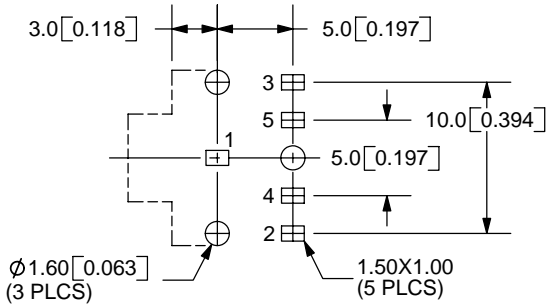
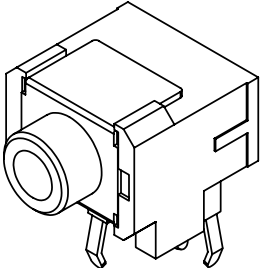
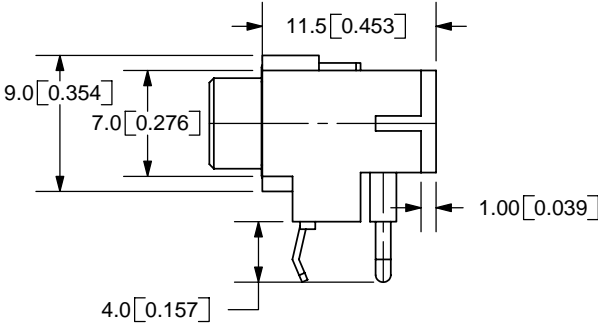
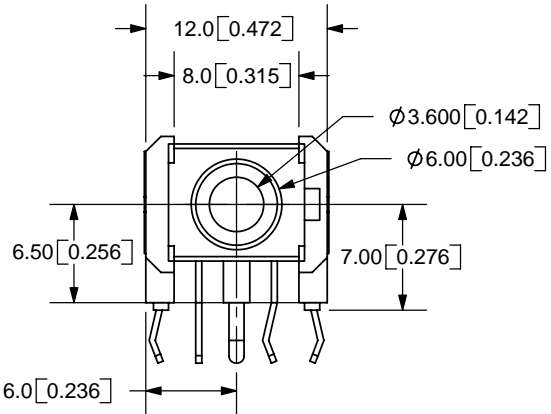
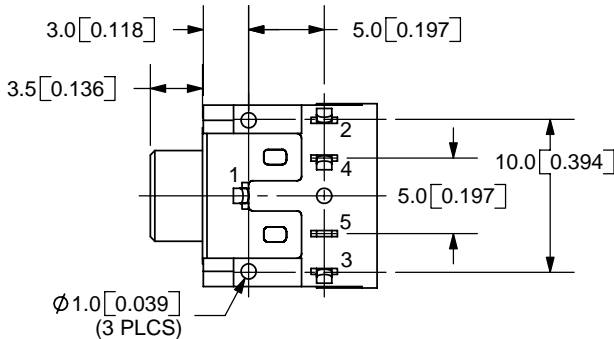


REV.	DESCRIPTION	DATE
A	NEW DRAWING	10/17/2005



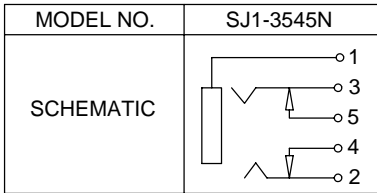
PCB LAYOUT  
TOP VIEW



TOLERANCE:  
X.X ±0.2mm  
X.XX ±0.1mm  
X.XXX ±0.05mm

**RoHS**  
Compliant

**SPECIFICATIONS:**  
CONTACT RESISTANCE: 30m OHMS MAX  
INSULATION RESISTANCE: 50M OHMS MIN: 500V DC  
VOLTAGE WITHSTAND: 500V AC R.M.S. FOR 1 MINUTE  
LIFE: 5,000 CYCLES



	MATERIAL	PLATING
BUSHING	Brass	Nickel
TERMINAL 1	Cold Rolled Steel	Nickel
TERMINAL 2	Copper Alloy	Tin
TERMINAL 3	Copper Alloy	Tin
TERMINAL 4	Brass	Tin
TERMINAL 5	Brass	Tin
HOUSING	PBT	



9615 SW Allen, Suite 103  
Beaverton, OR 97005  
Phone: (503) 643-4899  
800-275-4899  
Fax: (503) 372-1266  
Website: www.cui.com

TITLE:	3.5mm RIGHT ANGLE STEREO JACK	REV:	A
PART NO.	SJ1-3545N	UNITS:	MM [INCHES]
DRAWN BY:	ZRJ	APPROVED BY:	
		SCALE:	2:1

PC FILE NAME:  
SJ1-3545N

COPYRIGHT 2005 BY CUI INC.