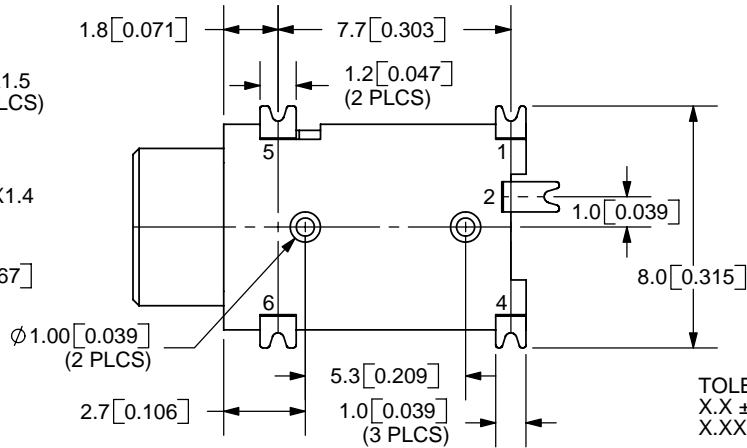
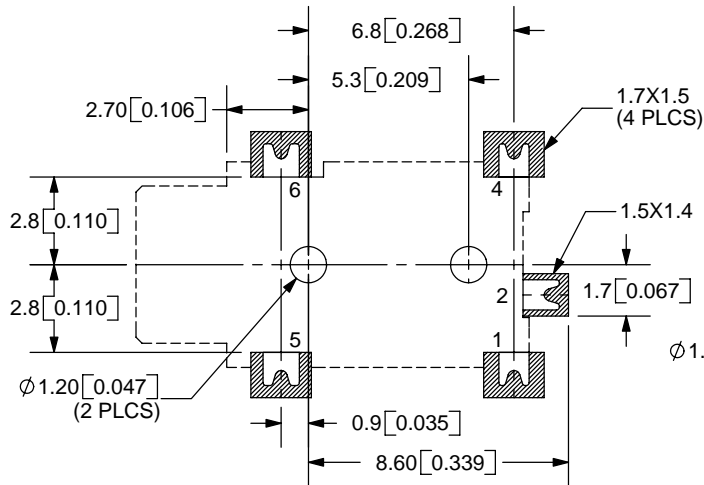
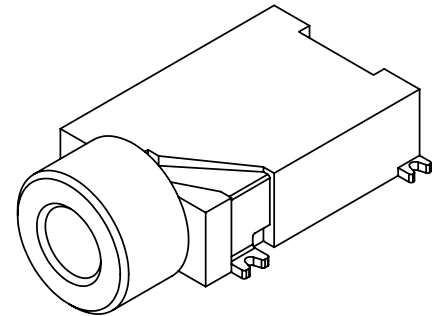
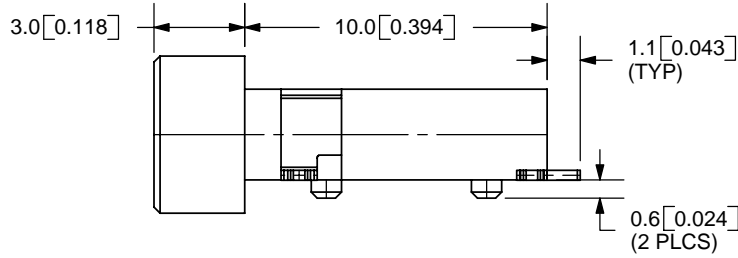
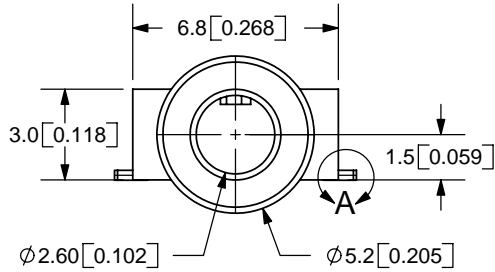
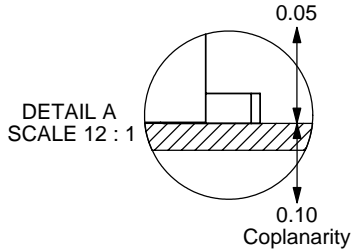


REV.	DESCRIPTION	DATE
A	NEW DRAWING	1/3/2006

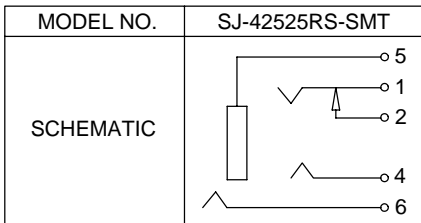


TOLERANCE:
 X.X ±0.3mm
 X.XX ±0.2mm



PCB LAYOUT
TOP VIEW

SPECIFICATIONS:
 RATING: 16V DC @ 300mA
 CONTACT RESISTANCE: 100m OHMS MAX
 INSULATION RESISTANCE: 100M OHMS MIN: 500V DC
 VOLTAGE WITHSTAND: 500V AC R.M.S. FOR 1 MINUTE
 LIFE: 5,000 CYCLES



	MATERIAL	PLATING
TERMINAL 1	Ti-Cu	Silver
TERMINAL 2	Brass	Silver
TERMINAL 4	Ti-Cu	Silver
TERMINAL 5	PBS	Silver
TERMINAL 6	Brass	Gold
HOUSING	PBT	



9615 SW Allen Blvd., Ste. 103
 Beaverton, OR 97005
 Phone: 503-643-4899
 800-275-4899
 Fax: 503-372-1266
 Website: www.cui.com

TITLE:	SMT AUDIO JACK W/4 CONDUCTORS 2.5mm	REV:	A
PART NO.	SJ-42525RS-SMT	UNITS:	MM [INCHES]
DRAWN BY:	ZRJ	APPROVED BY:	
		SCALE:	4:1

PC FILE NAME:
SJ-42525RS-SMT

COPYRIGHT 2006 BY CUI INC.