


MODEL: CD-1206-SMT | **DESCRIPTION:** MAGNETIC BUZZER TRANSDUCER**FEATURES**

- surface mount
- washable
- externally driven

**SPECIFICATIONS**

| parameter | conditions/description | min | typ | max | units |
|-----------------------|---|-----|-------|-----|--------------------|
| rated voltage |  | | 5 | | Vo-p |
| operating voltage | | 4 | | 8 | Vo-p |
| current consumption | at rated voltage, 2,400 Hz square wave, 1/2 duty | | | 40 | mA |
| rated frequency | | | 2,400 | | Hz |
| sound pressure level | at 10 cm (A-weight), rated voltage, 2,400 Hz square wave, 1/2 duty | 85 | 94 | | dB(A) |
| coil resistance | | 40 | 47 | 54 | Ω |
| dimensions | $\varnothing 12 \times 9$ | | | | mm |
| weight | | | 1.6 | | g |
| material | PPS (black) | | | | |
| terminal | SMT type (Au plating) | | | | |
| operating temperature | | -40 | | 70 | $^{\circ}\text{C}$ |
| storage temperature | | -40 | | 85 | $^{\circ}\text{C}$ |
| RoHS | 2011/65/EU | | | | |

Notes: 1. All specifications measured at 5~35 $^{\circ}\text{C}$, humidity at 45~85%, under 86~106 kPa pressure, unless otherwise noted.

SOLDERABILITY

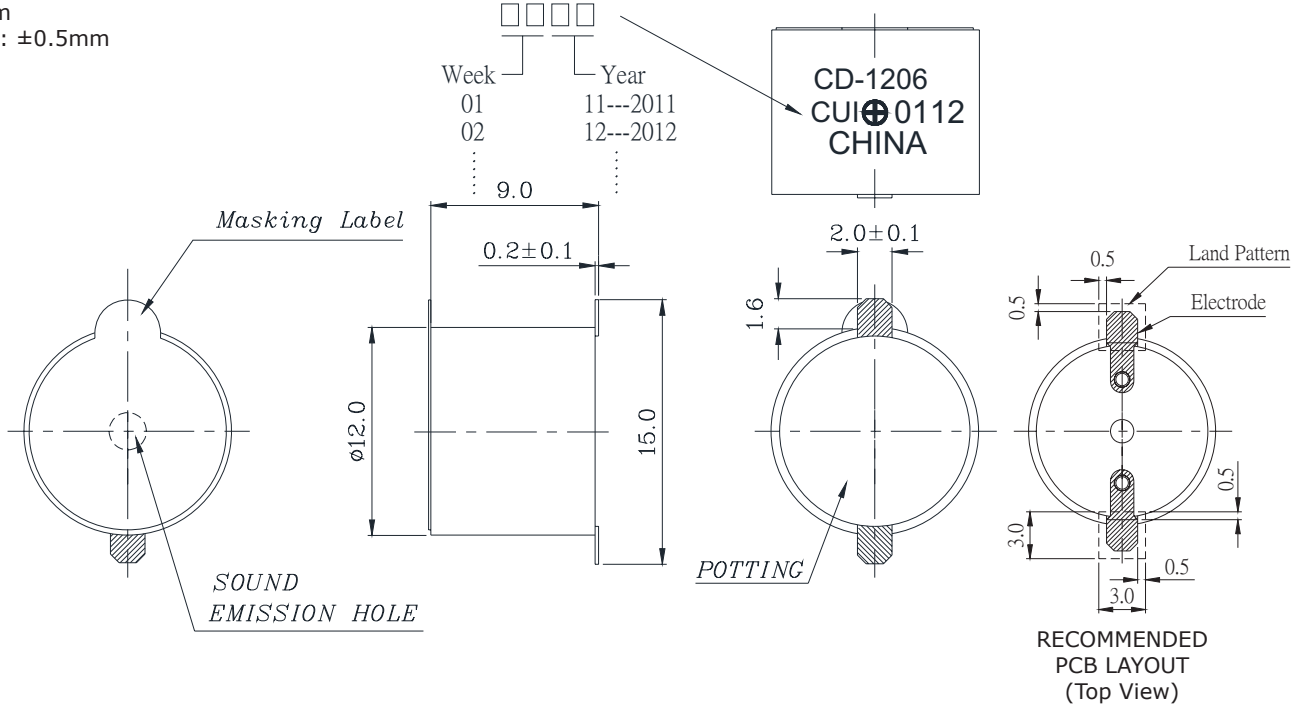
| parameter | conditions/description | min | typ | max | units |
|--------------------------------|--|-----|-----|-----|--------------------|
| reel storage | at relative humidity <60% | | | 30 | $^{\circ}\text{C}$ |
| reflow soldering ² | see recommended reflow soldering profile | | | 260 | $^{\circ}\text{C}$ |
| drying conditions ³ | bake at 40 $^{\circ}\text{C}$ for 24 hours | | | | |

Note: 2. It is recommended to reflow solder within 48 hours from opening vacuum packaging at a temperature <30 $^{\circ}\text{C}$ & relative humidity <60%.
3. When out of packaging for more than 48 hours.

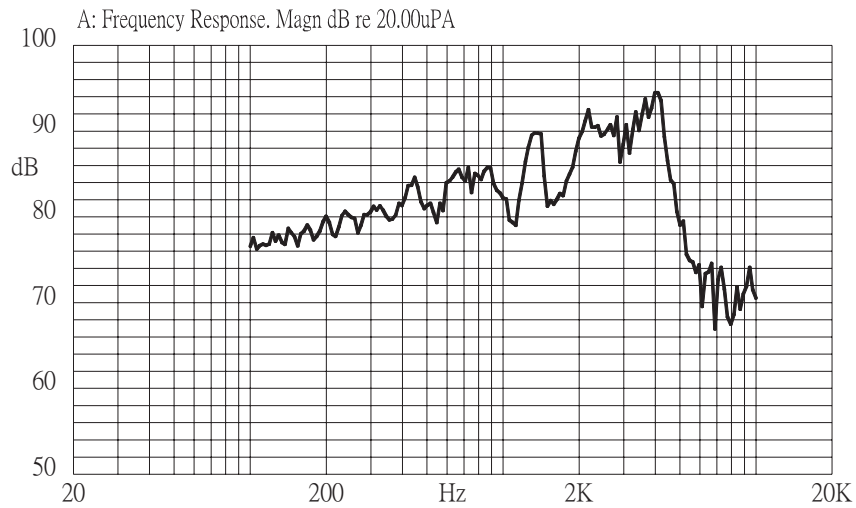


MECHANICAL DRAWING

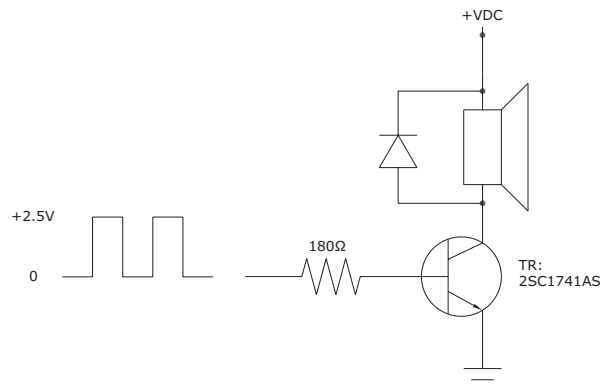
units: mm
tolerance: ± 0.5 mm



FREQUENCY RESPONSE CURVE



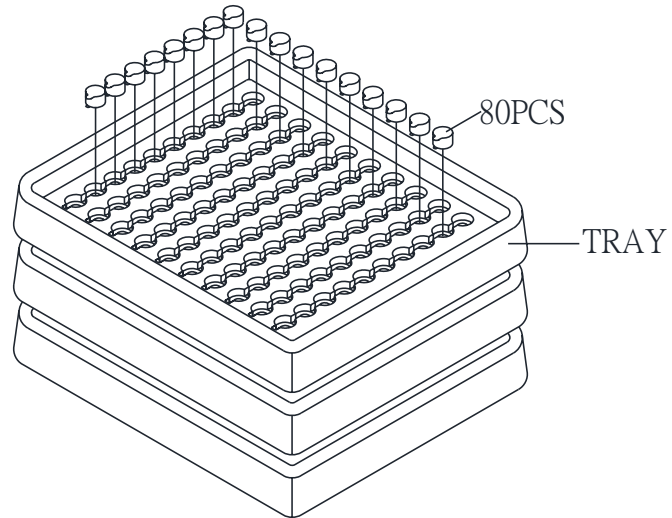
MEASUREMENT METHOD



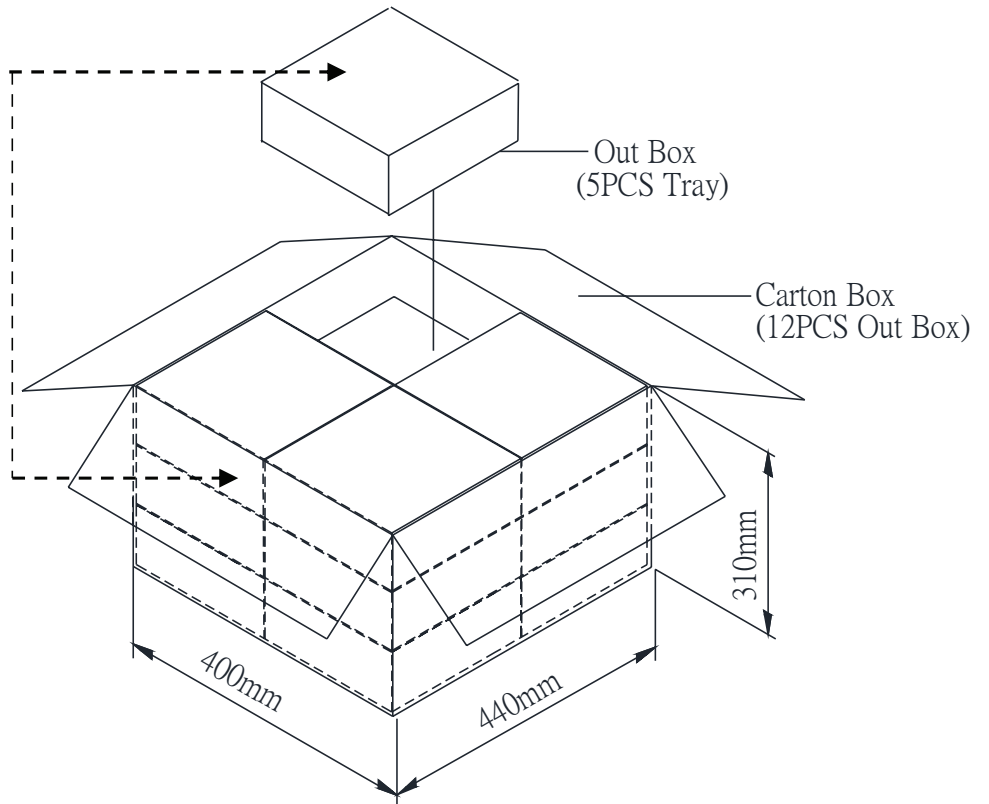
PACKAGING

units: mm

Tray Size: 184 x 184 x 24 mm
 Inner Box Size: 200 x 190 x 100 mm
 Carton Size: 440 x 400 x 310 mm
 Tray QTY: 80 pcs per tray
 Inner Box QTY: 400 pcs per inner box
 Carton QTY: 4,800 pcs per carton



| | |
|-----------|---------------|
| Lot No. | XXXXXXXXXX |
| Model No. | XXXXXXXXXX |
| Quantity. | XXXX Pcs |
| Date: | |
| | DD MM YY |
| | MADE IN CHINA |
| | CUI Inc |



* The label stuck on inner boxes and the outer of carton.

REVISION HISTORY

| rev. | description | date |
|------|---|------------|
| 1.0 | initial release | 08/21/2006 |
| 1.01 | applied new template | 11/03/2008 |
| 1.02 | updated part number, added TR package option, applied new spec template | 05/02/2013 |
| 1.03 | added storage and drying conditions, and packaging details | 02/01/2018 |
| 1.04 | brand update | 01/07/2020 |

The revision history provided is for informational purposes only and is believed to be accurate.

CUI DEVICES

CUI Devices offers a one (1) year limited warranty. Complete warranty information is listed on our website.

CUI Devices reserves the right to make changes to the product at any time without notice. Information provided by CUI Devices is believed to be accurate and reliable. However, no responsibility is assumed by CUI Devices for its use, nor for any infringements of patents or other rights of third parties which may result from its use.

CUI Devices products are not authorized or warranted for use as critical components in equipment that requires an extremely high level of reliability. A critical component is any component of a life support device or system whose failure to perform can be reasonably expected to cause the failure of the life support device or system, or to affect its safety or effectiveness.