



Part No: CLS0282MA-L152

Date: 7/03/2007

Unit: mm

Description: speaker

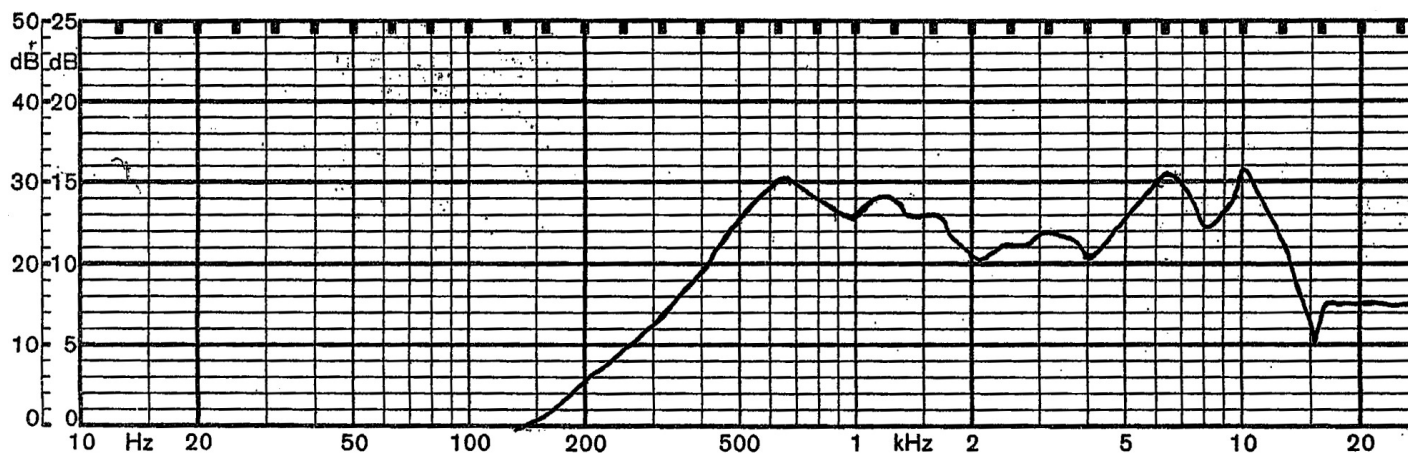
Page No: 1 of 2

## Specifications

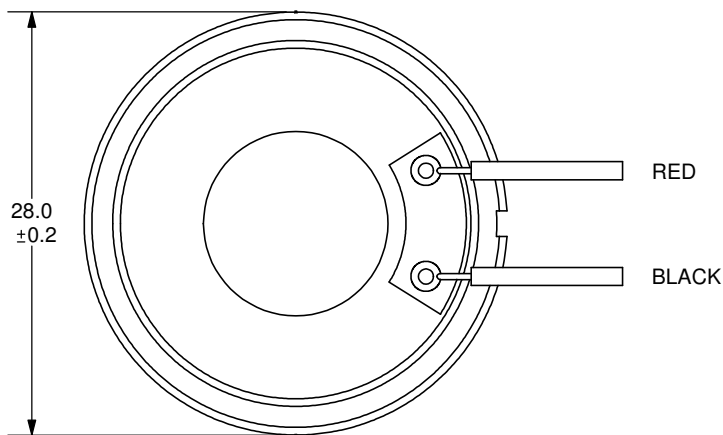
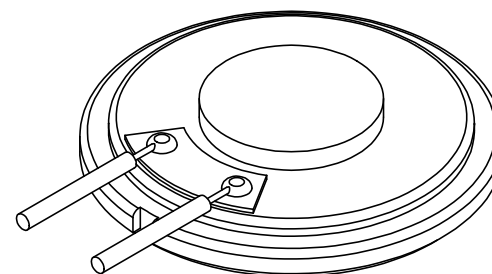
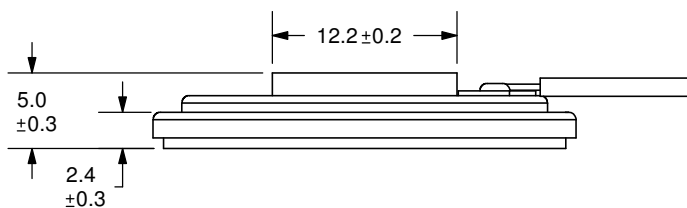
Nominal Size	28 mm		
Impedance	8 Ohm $\pm$ 15%	at	1.5 KHz 1 V
Resonant frequency	550 Hz $\pm$ 150 Hz	at	1 V
Sound pressure level	85 dB/w $\pm$ 3 dB	0.5 w 50 cm ave. at 0.8K, 1K, 1.2K, 1.5K Hz	
Response	Fo Hz ~ 10 KHz max 10 dB		
Input power	Nominal 0.5 W	Handling capacity	1 W
Operation	must be normal at program source 0.5 W		
Buzz, rattle, etc.	must be normal at sine wave 2.0 V		
Magnet	Size: 9.5 x 1.5 mm		
Load test	White noise	0.5 W	for 5 hours
Heat test	65 $\pm$ 2° C	20-50% R.H.	5 hours
Humidity test	40 $\pm$ 2° C	90-95% R.H.	5 hours

## Frequency Response Curve

Potentiometer range	50 dB
Rectifier	RMS
Lower limit frequency	20 Hz
Wr. speed	100 mm/sec

Zero level 60 dB

REV.	DESCRIPTION	DATE
A	NEW DRAWING	7/3/2007



SPECIFICATIONS:  
 WIRE: UL1007, #28AWG  
 LENGTH: 152mm

TOLERANCE:  
 $\pm 0.5$ mm UNLESS OTHERWISE SPECIFIED



20050 SW 112th Ave.  
 Tualatin, OR 97062  
 Phone: 503-612-2300  
 800-275-4899  
 Fax: 503-612-2383  
 Website: www.cui.com

TITLE: LOW PROFILE SPEAKER		REV: A
PART NO. CLS0282MA-L152	UNITS: MM [INCHES]	
DRAWN BY: ZRJ	APPROVED BY:	SCALE: 2:1