



Part No: CLS0401MAE

Date: 7/03/2007

Unit: mm

Description: speaker

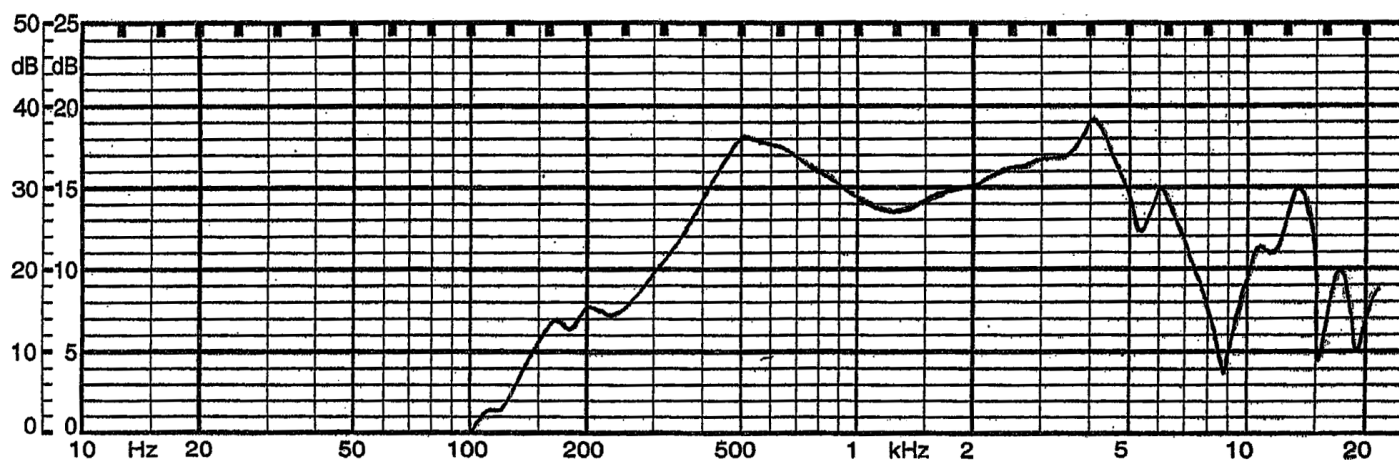
Page No: 1 of 2

Specifications

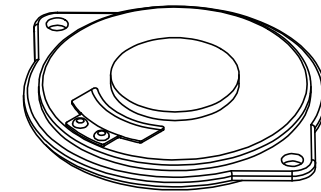
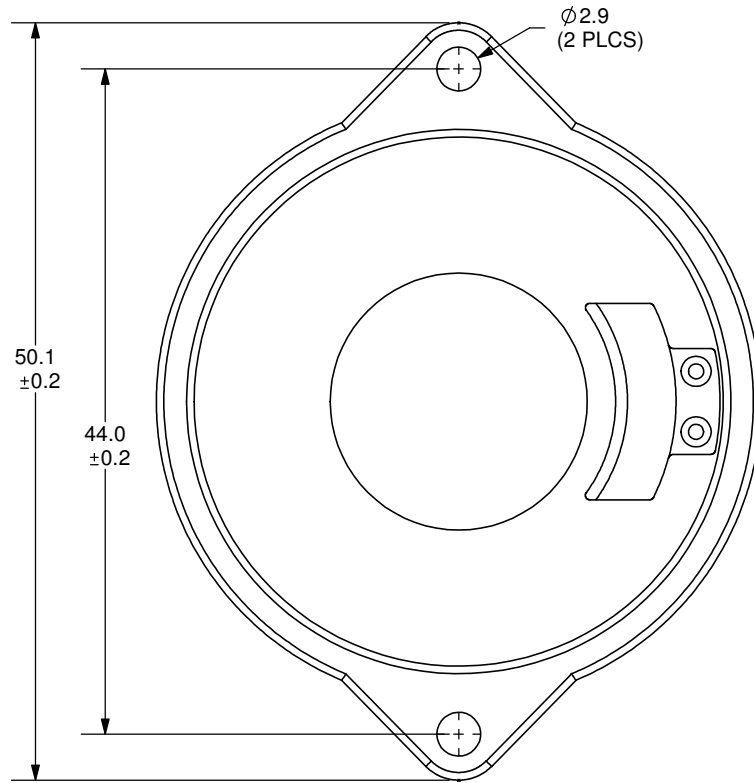
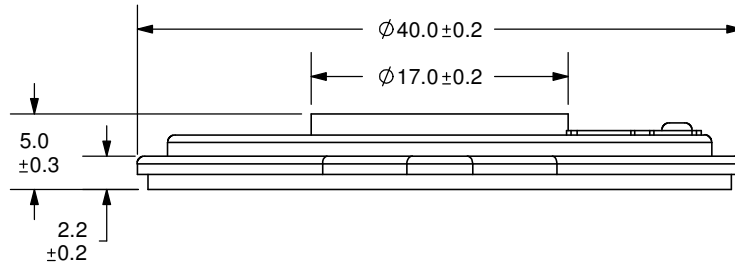
| | | | |
|----------------------|--------------------------------------|-------------------|-------------------------|
| Nominal Size | 40 mm | | |
| Impedance | 4 Ohm \pm 15% | at | 1 KHz 1 V |
| Resonant frequency | 500 Hz \pm 100 Hz | at | 1 V |
| Sound pressure level | 91 dB/w \pm 3 dB | 1 w 50 cm ave at | 0.6K, 0.8K, 1K, 1.2K Hz |
| Response | Fo Hz ~ 7 KHz max 10 dB | | |
| Input power | Nominal 1 W | Handling capacity | 2 W |
| Operation | must be normal at program source 1 W | | |
| Buzz, rattle, etc. | must be normal at sine wave 2 V | | |
| Magnet | Size: 12.5 x 1.5 mm | | |
| Load test | White noise 1 W | for | 24 hours |
| Heat test | 60 \pm 2° C | 20-50% R.H. | 24 hours |
| Humidity test | 40 \pm 2° C | 90-95% R.H. | 24 hours |

Frequency Response Curve

| | |
|-----------------------|------------|
| Potentiometer range | 50 dB |
| Rectifier | RMS |
| Lower limit frequency | 20 Hz |
| Wr. speed | 100 mm/sec |

Zero level 60 dB

| REV. | DESCRIPTION | DATE |
|------|-------------|----------|
| A | NEW DRAWING | 7/3/2007 |



SCALE 1:1

TOLERANCE:
 $\pm 0.5\text{mm}$ UNLESS OTHERWISE
 SPECIFIED



20050 SW 112th Ave.
 Tualatin, OR 97062
 Phone: 503-612-2300
 800-275-4899
 Fax: 503-612-2383
 Website: www.cui.com

| | | |
|----------------------------|--------------------|------------|
| TITLE: LOW PROFILE SPEAKER | | REV: A |
| PART NO. CLS0401MAE | UNITS: MM [INCHES] | |
| DRAWN BY: ZRJ | APPROVED BY: | SCALE: 2:1 |

PC FILE NAME:
 CLS0401MAE

COPYRIGHT 2007 BY CUI INC.