



Part No: CLS0402MA-1-L152

Date: 7/03/2007

Unit: mm

Description: speaker

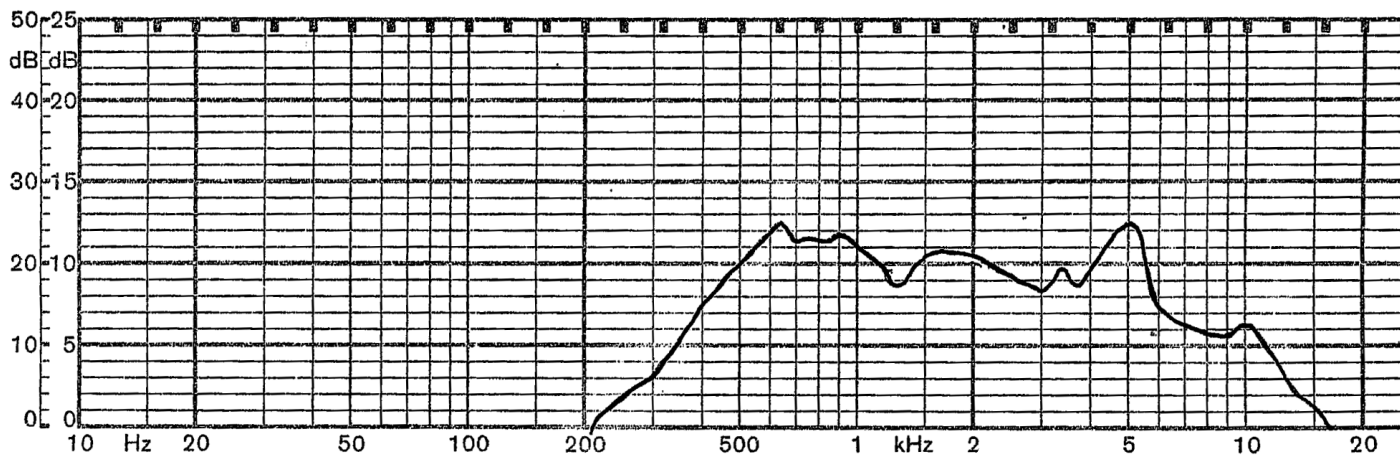
Page No: 1 of 2

Specifications

| | | |
|----------------------|----------------------------------------|--------------------------------------------|
| Nominal Size | 40 mm | 1 ½ inch. |
| Impedance | 8 Ohm ± 15% | at 1 KHz 1 V |
| Resonant frequency | 530 Hz ± 150 Hz | at 1 V |
| Sound pressure level | 90 dB/w ± 3 dB | 0.5 w 50 cm ave at 0.8K, 1K, 1.2K, 1.5K Hz |
| Response | Fo Hz ~ 6 KHz max 10 dB | |
| Input power | Nominal 0.5 W | Handling capacity 1.0 W |
| Operation | must be normal at program source 0.5 W | |
| Buzz, rattle, etc. | must be normal at sine wave 2.0 V | |
| Magnet | Size: 12.5 x 1.5 mm | |
| Load test | White noise 0.5 W | for 24 hours |
| Heat test | 65 ± 2° C | 20-50% R.H. 24 hours |
| Humidity test | 40 ± 2° C | 90-95% R.H. 24 hours |

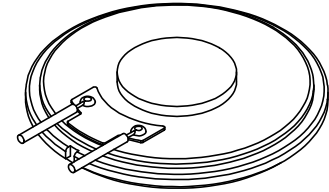
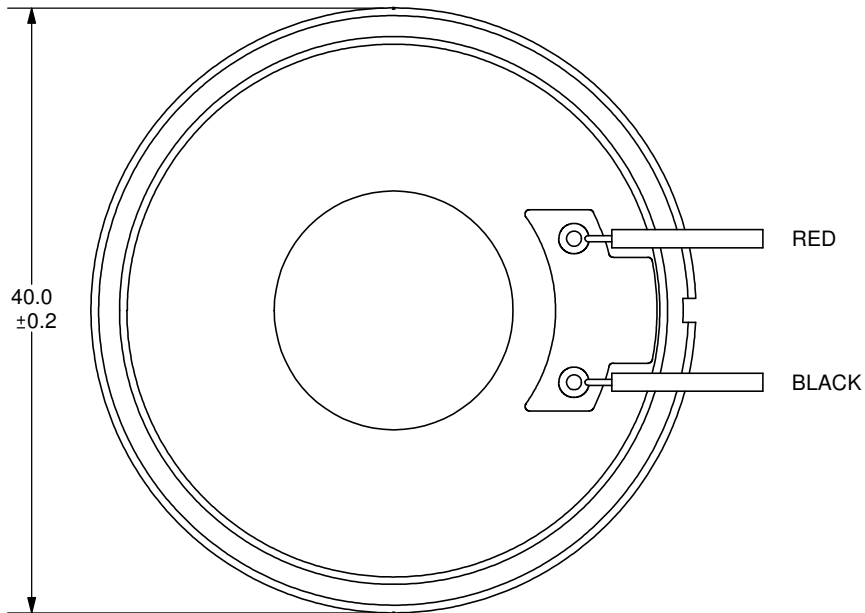
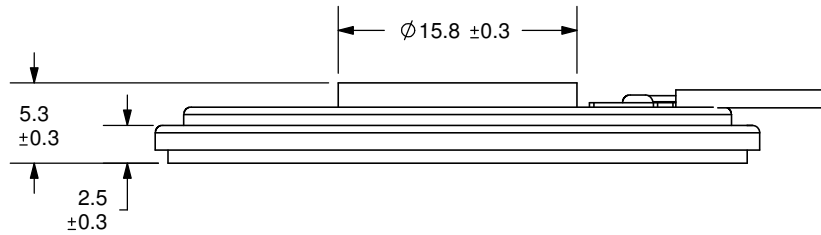
Frequency Response Curve

| | |
|-----------------------|------------|
| Potentiometer range | 50 dB |
| Rectifier | RMS |
| Lower limit frequency | 20 Hz |
| Wr. speed | 100 mm/sec |



Zero level 70 dB

| REV. | DESCRIPTION | DATE |
|------|-------------|----------|
| A | NEW DRAWING | 7/3/2007 |



SCALE 1:1

SPECIFICATIONS:
 WIRE: UL1007, #28AWG
 LENGTH: 152mm

TOLERANCE:
 ±0.5mm UNLESS OTHERWISE
 SPECIFIED



20050 SW 112th Ave.
 Tualatin, OR 97062
 Phone: 503-612-2300
 800-275-4899
 Fax: 503-612-2383
 Website: www.cui.com

| | | |
|----------------------------|--------------------|------------|
| TITLE: LOW PROFILE SPEAKER | | REV: A |
| PART NO. CLS0402MA-1-L152 | UNITS: MM [INCHES] | |
| DRAWN BY: ZRJ | APPROVED BY: | SCALE: 2:1 |